

Zip HydroTap®

Filtered boiling and chilled drinking water for kitchens and tea rooms.

This Installation Instruction covers the following HydroTap models:

BC series, B series, HT series and their associated Disabled models.

HydroTap



Disabled lever HydroTap

Domestic models:

- 30009 HydroTap Boiling Only, Unfiltered
- 35676 HydroTap Boiling Only
- 37697 HydroTap Boiling & Ambient
- 37677 HydroTap Boiling & Chilled

Commercial Models:

BC150/175 series:

- 30281 With 5 micron filter
- 73165 With sub micron filter
- 38286 5 micron filter with disabled levers
- 73168 Sub micron filter with disabled levers

BC100/125 series:

- 30271 With 5 micron filter
- 73164 With sub micron filter
- 37276 5 micron filter with disabled levers
- 73167 Sub micron filter with disabled levers

BC 60/85 series:

- 37671 With 5 micron filter
- 73166 With sub micron filter
- 37676 5 micron filter with disabled levers
- 73169 Sub micron filter with disabled levers

B150F series:

- 38201 With 5 micron filter
- 73171 With sub micron filter
- 38206 5 micron filter with disabled levers
- 73174 Sub micron filter with disabled levers

B100F series:

- 37201 With 5 micron filter
- 73170 With sub micron filter
- 37206 5 micron filter with disabled levers
- 73173 Sub micron filter with disabled levers.



Contents

Read These Warnings First	3
Models covered by these instructions	4
Installation Requirements	4
Special tools required	5
Installation procedure	5
Step A - Installing the tap	5
Step B - Installing the undersink unit	6
See special note page 6, ventilation buffers.	
Step C - Connecting the tap,	6
Step D - Connecting the Water Supply	7
Step E - Testing and commissioning	7
Font Installation procedure	8
Operating the Tap	9
Cleaning	10
Replacing the Filter	10
Pull-out Font Template pages	a, b, c, d.
Setting the Energy Saver Timer	11
Auxilliary Fan Attachment	12
Hot Safety Isolation	12
Trouble Shooting	13
Exploded view Chiller Module and Spares	14
Exploded view Boiler Module and Spares	15
Exploded view HT series boiler only	16
Exploded view B series boiler only	17
Intentionally blank	18
Intentionally blank	19
Warranty Information	20

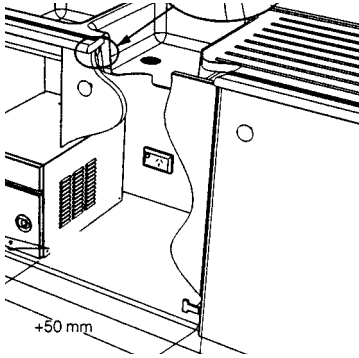
NOTE:

All plumbing must comply with AS3500.4.1 & AS3500.4.2

All electrical must comply with AS/NZS3350.1, AS/NZS3350.2.75

All refrigeration must comply with AS/NZS3350.2.24

Read These Warnings First



The power point must be located within reach of its cable. The appliance must be positioned so that the plug is accessible.



Zip HydroTap undersink assembly. The appliance must be placed in a horizontal position, as shown above.

Note:

Always ensure the tubes are shortened so that any excess is removed and their route is the most direct line between the tap assembly and the HydroTap unit.

Do not allow the tubes to sag or droop so water is trapped within the hoses. Always maintain a constant fall

Positioning of the tap assembly must be within the following parameters:

The height between the base of the HydroTap unit and the base of the Tap assembly cannot be greater than 900mm.

Safety

Do not allow young children, handicapped or infirm persons, to use the Zip HydroTap without supervision. Children should be supervised to ensure that they do not play with the appliance.

Refrigerant

The Zip HydroTap Chilling unit contains 134A refrigerant under pressure. No part of the unit should be exposed to a naked flame. Maintenance of the refrigeration unit must be carried out by an accredited service provider or qualified refrigeration mechanic.

Qualifications

If any power cord or plug is damaged it must be repaired only by a qualified technician. To avoid hazards, all installation procedures must be carried out by a suitably qualified tradesperson. The power cord and general power outlet must be in a safe visible position for connection.

Venting

Sometimes steam and / or boiling water may discharge through a vent outlet at the mouth of the tap. If the tap is not installed using the Font pedestal, ensure the tap body is located so the tap outlet safely drains into the sink bowl area.

NOTE: On startup, the controls take the system through a calibration process which causes the unit to over-boil for a period of 90 secs. This is normal operation, once this mode is completed the system reverts back to normal operation.

Lifting

Take care when lifting the Zip HydroTap undersink unit. Some units may exceed safe lifting limits. Do not lift without assistance. The weights of the units are given in the table under the heading "Installation Requirements". Do not lift the unit by the doors.

Airflow

The ambient temperatures this unit should operate within are 5°C - 35°C. Proper air circulation must be provided. The system will operate satisfactorily only if the recommended air gaps are provided, these are 65mm min rear clearance and 50mm side clearance. An air vent is provided with each unit for high usage applications, this must be installed in the top half of the cupboard door as a matter of course. An accessory exhaust fan kit is available and should be used to ensure adequate ventilation. Make sure that the ventilation grilles of the undersink unit are not obstructed. Included in the installation pack are adhesive backed silicon buffers. If air vents are not installed in the cupboards housing the HydroTap, the buffers must be placed on the inside edge of the cupboard door to create a slight gap ensuring a minimum airflow. Failure to do this may cause the HydroTap to overheat and operate inefficiently.

Altitude (not HT boiling only series)

The Zip HydroTap is equipped with a self-calibrating program which caters for altitude adjustment.

Filter Control (for filtered models)

The Zip HydroTap filter control is preset to 6000 Litres to provide trouble-free flow and operation in most installations. Local water quality conditions may require an alteration to this capacity. In areas where the water has a high concentration of sediment, the preset litre capacity may be shortened to avoid poor flow, taste or odour situations. In areas where the water quality is above average, lengthening the preset capacity may be desirable, but not essential. If any of these changes is needed, follow the instructions on page 11 or contact your Zip Service Provider.

Read These Warnings continued

Frost Protection

If this appliance is located where the ambient air temperature could fall below 5°C when the heater is not in use, do not turn off the appliance electrically. This safeguard does not offer the same protection to the connecting pipework and fittings.

Installation Environment Considerations

This unit is intended for indoor use only and should never be installed outdoors or exposed to the elements of nature. This unit must not be positioned in an area that may be cleaned by a water jet. This unit must not be cleaned by a water jet.

NOTE:

Zip HydroTaps are designed to operate within 1°C to 2°C of boiling point and at 5°C to 10°C for chilled drinking water.

Domestic models covered by these instructions

Model	Height mm (inch)	Depth mm (inch)	Width mm (inch)	Weight empty kg's lbs	Weight full kg's lbs
30009	334 (13.2)	320 (12.5)	188 (7.4)	9 (19.8)	11.5 (25.3)
35676; 37697	353 (13.8)	388 (15.3)	290 (11.4)	9.5 (20.9)	12 (26.4)
37677	337 (13.2)	430 (16.9)	440 (17.3)	28 (61.7)	35.0 (77.1)

Commercial models covered by these instructions

BC	100	125
Model	Cups of Boiling Water per Hour	Glasses of Chilled Water per Hour

Note: The **Cup** measurement = 167mls, the **Glass** measurement = 200mls

These Installation Instructions cover the entire HydroTap range. Use the chart on the left to identify the model you are using:

Commercial Models:

- BC = Boiling and Chilled, Filtered,
- BF = Boiling, Filtered
- BD = Boiling and Ambient Filtered
- B = Boiling only (unfiltered)
- D = Disabled lever controls, (optional order only- models listed on P1)

Model	Height mm (inch)	Depth mm (inch)	Width mm (inch)	Weight empty kg's lbs	Weight full kg's lbs
BC60/85	337 (13.2)	430 (16.9)	440 (17.3)	28 (61.7)	34.5 (76)
BC100/125	337 (13.2)	430 (16.9)	440 (17.3)	28 (61.7)	35 (77.1)
BC150/175	395 (15.5)	465 (18.3)	500 (19.6)	29.5 (65)	38 (83.7)
B100F	353 (13.8)	323 (12.7)	290 (11.4)	9.5 (20.9)	12 (26.4)
B150F	409 (16.1)	340 (13.3)	321 (12.6)	10.0 (22.0)	14.0 (30.8)

Installation Requirements

Before installing ensure that the following have been provided at the installation site:

- Sufficient space in the cupboard to install the undersink unit in accordance with these Installation Instructions. A table of dimensions is given above.

NOTE: Add 65mm to the Depth of the undersink unit to allow for Water and Electrical connections.

- A water supply connection with isolating valve inside the cupboard within reach of the 750 mm flexible connection and positioned so that the connection point and the stop cock will not be obstructed when the undersink unit is installed.



Installation Requirements continued

- Power supply 220-240 Volt AC, for connection to the heater via a 10 amp GPO.
- This switch must provide all-pole disconnection and a contact separation of at least 3mm installed in accordance with wiring rules.
- Cold water supply with a minimum working pressure of 70 kPa and a maximum working pressure of 700 kPa connected via an isolation valve. If pressure is likely to exceed 700 kPa, install a 500 kPa Pressure Limiting Valve.
- The fitting of an air flow vent cut into the top half of the cupboard door concealing the HydroTap requiring a cut size of approximately 100mm circular, to provide adequate warm air displacement. In installations where high volume draw-off will occur, the fitting of the accessory exhaust fan is essential.

Important: Do not proceed with the installation if these requirements are not met.



CAUTION: In order to avoid a hazard due to inadvertent resetting of the thermal cut out, this appliance must not be supplied through an external switching device, such as a timer, or connected to a circuit that is regularly switched on and off by the utility

Special tools required

In addition to normal tools, the following will be required:

- 35mm diameter sheet metal hole punch for sink tops. (not supplied)
- 35mm diameter hole saw for timber bench tops. (not supplied)
- Nut runner tube spanner (supplied) for fixing tap assembly.

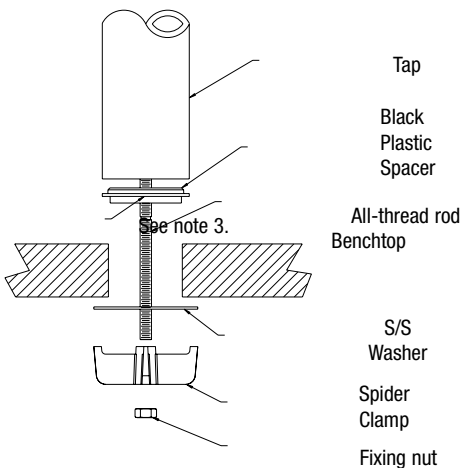
When installing a Font unit:

- 108mm diameter sheet metal or hole saw to suit surface being cut.

Installation procedure

Step A - Installing the tap

1. Make sure that the tap location will allow the nozzle to drain into the sink.
2. Install the 35mm hole in the bench / sink top.
3. Ensure the black plastic spacer remains in place as this is the moisture seal against the bench / sink top. **A light smearing of silicon sealant on the underside of the spacer will ensure a watertight fit.**
4. Pass all three hoses through the 35mm hole and carefully locate the Head Assembly and black spacer on the bench / sink area.
5. From the underside of the bench / sink area install the S/S washer and "Spider Clamp" by feeding each of the three tubes and electrical cable evenly in between the legs of the "Spider Clamp". Slide it up to meet the "All Thread", and pass the "All Thread" through the center of the "Spider Clamp".
6. Hold the "All Thread" steady and fit the 6mm nut to the "All Thread" using the tube spanner supplied in the kit. Check the Tap Head position before securing it tightly against the bench / sink top.



Note: A stainless steel washer is supplied to go in between the Spider Clamp and the underside of the sink top. See location as shown.

NOTE 1: The tap assembly must not be positioned more than 900mm above the base of the HydroTap unit.

Failure to do this may result in poor water delivery.

NOTE 2: Under no circumstances should the Tap be twisted after the installation is complete.

Installation procedure continued

NOTE :

New hose sets supplied with the unit should be used. Do not use old hose sets.

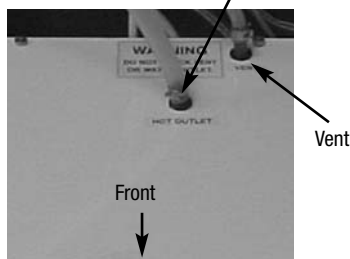
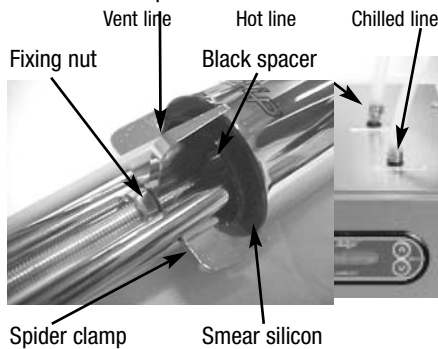


This instruction is critical

Note:

Included in the installation pack are adhesive backed silicon buffers. If air vents are not installed in the cupboards housing the HydroTap, the buffers must be placed on the inside edge of the cupboard door to create a slight gap ensuring a minimum airflow. Failure to do this may cause the HydroTap to overheat and operate inefficiently.

Note: A stainless steel washer is supplied to go in between the Spider Clamp and the underside of the sink top. Position it here.



Step B - Installing the undersink unit

SPECIAL NOTE: The HydroTap undersink units are heavy, take note of the weights listed in the table on page 4. If you think you cannot lift the unit safely, get help and avoid possible injury.

Before positioning the heater connect the braided water inlet hose (supplied) to the cold water inlet on the unit. This is located at the rear of the unit.

Position the Zip HydroTap undersink unit as close as possible to directly beneath the Zip HydroTap tap head.

The connection tubes supplied with the tap head assembly CANNOT be lengthened.

Leave at least a 50 mm air-gap without obstruction on each side of the unit and 65mm at the rear

Adjust both cupboard door hinges and attach the supplied rubber door buffers to the doors to create a 4 mm air-gap between the doors and the cupboard. This is the minimum ventilation requirement for low usage installations.

Proper air circulation must be provided for all Boiling and Chilled models. The system will operate correctly only if the recommended air gaps are achieved during installation. A ventilation hole measuring 100mm must be cut into the top half of the cupboard door to accommodate the air vent provided. Make sure that the undersink unit ventilation grilles are not obstructed in any way. Cupboard ventilation for Boiling only and Boiling Ambient models is recommended.

Step C - Connecting the tap Model BC and HT (boiling/chilled models)

Measure and trim the blue tube and connect it to the chilled water outlet located on the top front, right hand side of the undersink unit. Use spring clamps provided. Measure and trim the red marked tube and connect it to the hot water outlet located on the top center, right hand side of the undersink unit. Use spring clamps provided.

Measure and trim the unmarked tube and connect it to the vent outlet located on the top center, left hand side the top of the undersink unit. Use spring clamps provided. **NOTE:** All tubes must have a continuous fall back to the undersink unit.

Connect the tap USB connector to the USB port on the undersink unit. Orient the USB plug carefully and connect, do not force the plug. Once connected, fix the cable to the wall, ensure it is away from any possible water splashes and is off the floor.

Note: When trimming any silicon tubes trim to minimum length, do not loop any excess or allow kinking of the tubes. When connecting, slide the tube over the pipe at least 25mm. There are black plastic clamps provided on the boiling and chilled hoses to choke the flow if required. Only choke the flow if it is excessively strong.

Model B, BD and HT (boiling only models)

Measure and trim the red marked tube and / or the blue marked tube and connect it to the hot water outlet and ambient outlet if a BD model, on the top of the undersink unit. Use spring clamps provided.

Measure and trim the unmarked tube and connect it to the vent outlet on the top of the undersink unit. Use spring clamps provided.

NOTE: All tubes must have a continuous fall back to the undersink unit.

Connect the tap USB connector to the USB port on the undersink unit. Orient the USB plug carefully and connect, do not force the plug. Once connected, fix the cable to the wall, ensure it is away from any possible water splashes and is off the floor.

Installation procedure continued

Step D - Connecting the water supply

To prevent sediment from entering the Zip HydroTap at connection, flush water through the supply line thoroughly before connection to the Zip HydroTap. Open the access door and check that the filter is in place and secure. Connect the water supply to the undersink unit using the attached flexible hose. Turn on water and check for leaks. If no leaks are evident turn the power on.

Step E - Testing and commissioning (applies to all models except HT boiling only)

Filter Flush Mode (filtered models only)

The display screen will show which model you have.

Have a bucket or similar container (not supplied) at the ready to hold a quantity of water that is ejected while the Filter Flush Mode is in operation. Open the filter access door on the front of the HydroTap and the filter cartridge will be exposed. Located to the rear RHS of the cartridge is a fixed flush line, approx 600mm long and the flush line stop cock. Place the free end of the flush line into the bucket or container (not supplied).

Turn "ON" both water and electricity supplies and open the flush line stop cock. The display will show Filter Flush Mode. To activate press adjust \wedge . Run at least 7.5 Ltrs of water through to activate the filter membrane. Press the adjust \wedge button again to stop the Filter Flush Mode. Turn OFF the Filter Flush stop cock and re-locate the tube and stop cock in the filter compartment. Turning OFF the Filter Flush Mode puts the HydroTap into calibration mode. Press adjust \wedge to start calibration. The element will now cycle On and heat the water to 95°C maintaining it at that temperature for a short stabilization period.

Once stabilized, the element will cycle On, bring the water to boiling point and hold it there for a short period.

The unit now carries out a self calibration function to ensure correct temperatures are maintained. During this period the Red LED on the Tap Head assembly flashes slowly until the calibration function is complete.

Once this step is complete (approx 5 minutes) the unit will default to normal operation.

When starting, both Boiling and Chilled cycles activate simultaneously after calibration has taken place, the descriptions below indicate what happens during each cycle.

Boiling

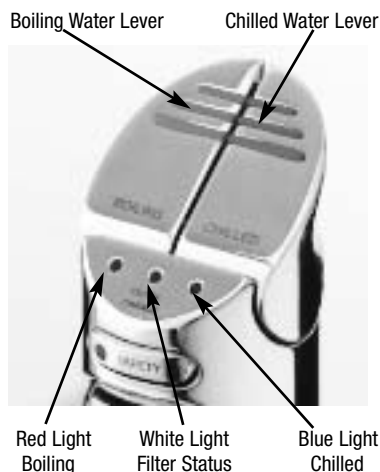
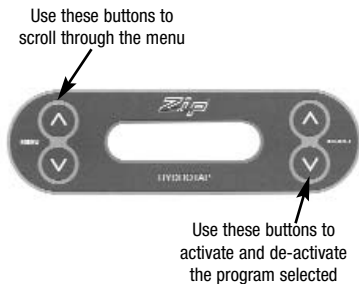
The unit is now running in normal operating mode. The Red LED will flash until usable temperature is reached.

Before using the HydroTap wait 5 minutes after this point to allow adequate fill time. The unit is now ready for use. Test water delivery from the tap and check for appropriate temperatures. Use cable clips to tidy and secure wiring.

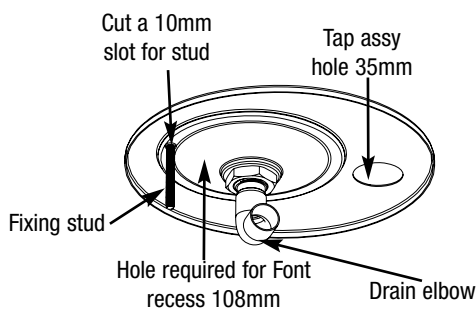
Chilled

When water and power is turned On, the Blue LED flashes slowly on the Tap Head assembly. The compressor activates and water begins to fill the chiller tank at the prescribed rate. When the water is chilled to 10°C the Blue LED on the Tap Head assembly stops flashing and stays illuminated. The compressor continues to chill down to 5° when it will cycle Off.

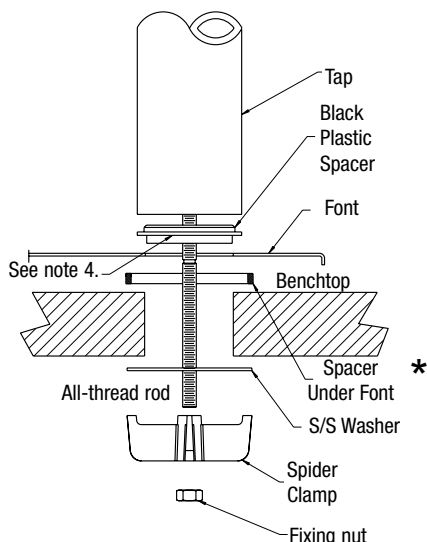
Ensure that the clock matches your local time. If not refer to page 15. If Energy Saver Settings are required, the instructions for installing these are described on page 15 "Setting the Energy Saver Timer".



Font installation procedure



View from underside



Note: A stainless steel washer is supplied to go in between the Spider Clamp and the underside of the benchtop. See location as shown.

1. Position the Font template (provided) on the bench area. Ensure the position you select is within the length of the supply tube and USB cable fixed to the Tap Head Assembly. These cannot be extended.
2. Check again for correct positioning. The supply hoses must have constant fall back to the tank assembly. Cut the holes as shown on the template.
3. Once holes are cut, locate the Font base in position, from the underside, lightly tighten the securing rod with the nut and washer provided.
4. Apply a light smear of silicon sealant to the underside of the black base ring, this will provide a water tight seal against the Font base when clamped. * Ensure the plastic spacer is correctly located under the Font.
5. Now take the Tap Head Assembly. Feed the hoses and USB cable through the Font base, then through the plastic spacer that sits under the font base but on the bench top. This stops warping of the base plate. Ensure the Tap spout is directly centered over the Font drain. Fit the "Spider Clamp", nut and washer onto the "All Thread". Have all the supply tubes and USB cable located evenly between the "Spider Clamp" legs. When satisfied with the positioning, tighten the fixing nut with the Tube Spanner provided in the kit.
6. Tighten the securing pin so the Font base is flush with the bench top.

NOTE: The fixing nut above the drain elbow can be loosened to correctly position the direction of the elbow. Ensure when the re-positioning is complete the nut is re-tightened to ensure a water tight seal.
7. Connect a drain hose (22mm ID) from the Font base outlet elbow to the closest drain trap spigot available. If a spigot is not available use the snap on spigot and worm drive clamps supplied in the kit. (Instructions and diagrams are supplied in the kit ref:81496).
8. Ensure the positioning of the snap-on spigot is on the "sink" side of the trap and not the "waste" side. Once positioned, a hole (13mm ID) will need to be drilled to provide waste access to the drain line. The snap-on unit will require suitable sealant to keep it water tight against the waste pipe. Finish by fitting the worm drive clamps tightly on either side of the spigot and fitting worm drive clamps to either end of the drain hose. The drain hose from the Font must have constant fall
9. Connect the Tap head Assembly supply hoses and vent as per the instructions contained in the installation procedure section of this document.

Operating the Tap

Blue Chilled Water Light

On all the time:

This indicates that the temperature of the chilled water is within the usable temperature range.

Flashing slowly :

This indicates that the chilled water is not at the right temperature. Wait up to 20 minutes. When the chilled water is at the right temperature, the light will stop flashing. Note: The Zip HydroTap is designed to dispense chilled water in the temperature range 5°C to 10°C.

During heavy usage, the temperature can rise out of this range.

Red Boiling Water Light

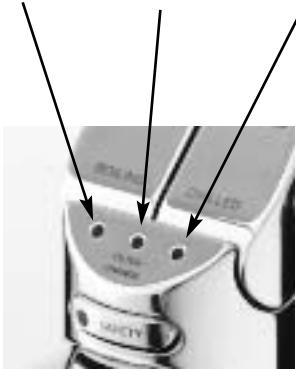
On all the time: This indicates that the boiling water is ready.

Flashing slowly : This indicates that the boiling water is below useable temperature.

Filter Change Light Off: This indicates the filter is operating within its normal specified lifespan.

Filter Change Light Flashing slowly : The light will flash slowly when the filter is due for replacement and the LCD will show "Filter Change". Refer to "Replacing the filter" section of this document.

Boiling Filter Change Chilled



Note: On the Boiling only models the Chilled LED is blank.

Boiling Water Lever

Depressing the "Red" lever allows dispensing of Boiling water.

Pulling up the Red lever allows the tap to operate in a "no-touch" mode. Water will flow from between 5 and 15 seconds (This is user adjustable). To reset, return the handle to the "Off" position and repeat the step. The lever has to be manually returned to the "Off" position.

Chilled Water Lever

Depressing the "Blue" lever allows dispensing of Chilled water.

Pulling up the Blue lever allows the tap to operate in a "no-touch" mode. Water will flow from between 5 and 15 seconds (This is user adjustable). To reset, return the handle to the "Off" position and repeat the step. The lever has to be manually returned to the "Off" position.



Child safety Lock

Child Safety Lock (boiling / chilled models)

The child safety lock can be activated to prevent boiling water flowing if the hot lever is inadvertently activated.

To activate, first press the safety lock then depress the Blue Chilled water lever for a period of approximately ten seconds. The safety lock indicator light will now be illuminated.

To de-activate, first press the safety lock then depress the Blue Chilled water lever for a period of approximately ten seconds. The safety lock indicator light will now extinguish.

To operate when the lock is ON, depress both the Red lever and the safety lock simultaneously.

Child Safety Lock (all boiling only models except HT models)

To activate the child safety lock, go to the LCD display, using menu \wedge or \vee scroll to the Safety Lock display. To turn ON adjust \wedge to turn OFF adjust \vee button. After about 10 seconds the screen will default to the selected mode. When activated the LED on the safety lock will be illuminated. If de-activated the LED will be OFF.

To operate when lock is ON, depress both the Red lever and the safety lock simultaneously.

Child Safety Lock (HT boiling only models)

Pressing the safety lock rapidly three times will either activate or de-activate the safety lock. Indicator light ON means the lock is active, indicator OFF means inactive.

Cleaning

Do not use strong, corrosive, spray or abrasive cleaners. Clean with a soft cloth or brush and mild soap and water.

Do not spray water over the tap as it may damage the low-voltage electronics.

Undersink units must never be located near, or cleaned with water jets.

Replacing the Filter (filtered models only)

The Zip HydroTap notifies when filter replacement is due. The default setting is 6000 Ltrs, but this can be set in increments of 1000Ltr from 1000Ltr to 10000Ltrs. When a filter change is due, the Change Filter light will flash white once a minute and remain so until reset. A filter status light is located between the Red and Blue Lights on the tap head assembly.

Depending on local water quality conditions and usage, the filter may require changing anywhere from 1000 Ltrs to 10000 Ltrs. You may also need to replace the filter if you notice unpleasant odours or tastes.

Some water may drip from the filter head (socket) during replacement. Keep a bucket and towel handy to catch drips and mop up any spills.

To change the Filter:

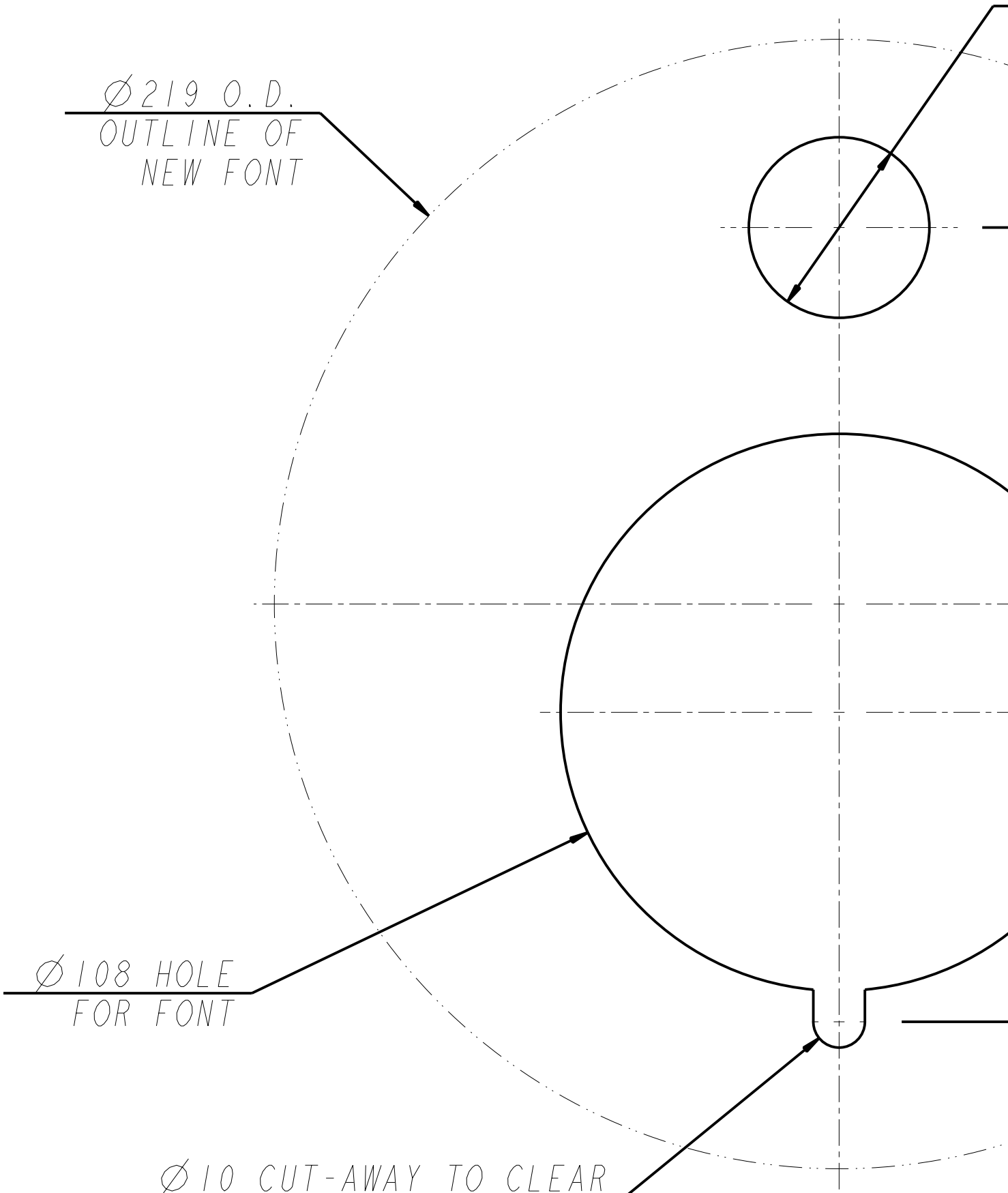
1. Scroll through the screen menu to “Filter Flush Off” this isolates the water supply.
2. Relieve system pressure via the filter flush stop cock, a quick open and close will do.
3. Grasp filter cartridge and twist right to left one quarter turn until it stops.
4. Ease cartridge downwards to detach it from the filter head (socket).
5. Do not tilt the cartridge as dirty water may spill from it if tilted.
6. Unpack replacement cartridge and write today’s date where shown on the label.
7. Avoid touching the filter “O” rings and filter opening as this may cause bacterial contamination of the cartridge.
8. Align cartridge tabs with the slots on the under-side of the filter head.
9. Slide cartridge upward into head and rotate left to right until it stops.
10. Locate the filter flush hose situated behind the filter cartridge and run to a container ready for flushing. Open the flush hose tap lever. On the control panel press adjust \wedge , this will start the water flushing the cartridge. Allow at least 7.5 Ltrs of water to run through to activate the filter and then press adjust \wedge to stop the flow.
11. Isolate the filter flush stop cock and re-fit behind the filter cartridge.
12. Wipe up any spills and dispose of spent filter cartridge and packaging thoughtfully.
13. Scroll through the menu to “Litres Filtered”, press adjust \wedge to reset litre counter. Then it asks “are you sure”. Press adjust \wedge again to lock in the command. After approx 10 seconds it will default to the selected mode.

Warning: If the Zip HydroTap is switched off for a long period of time (e.g. more than a weekend), run water through the chilled water outlet for at least 5 minutes before consumption.

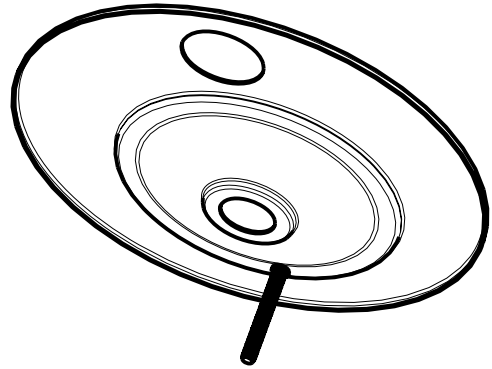
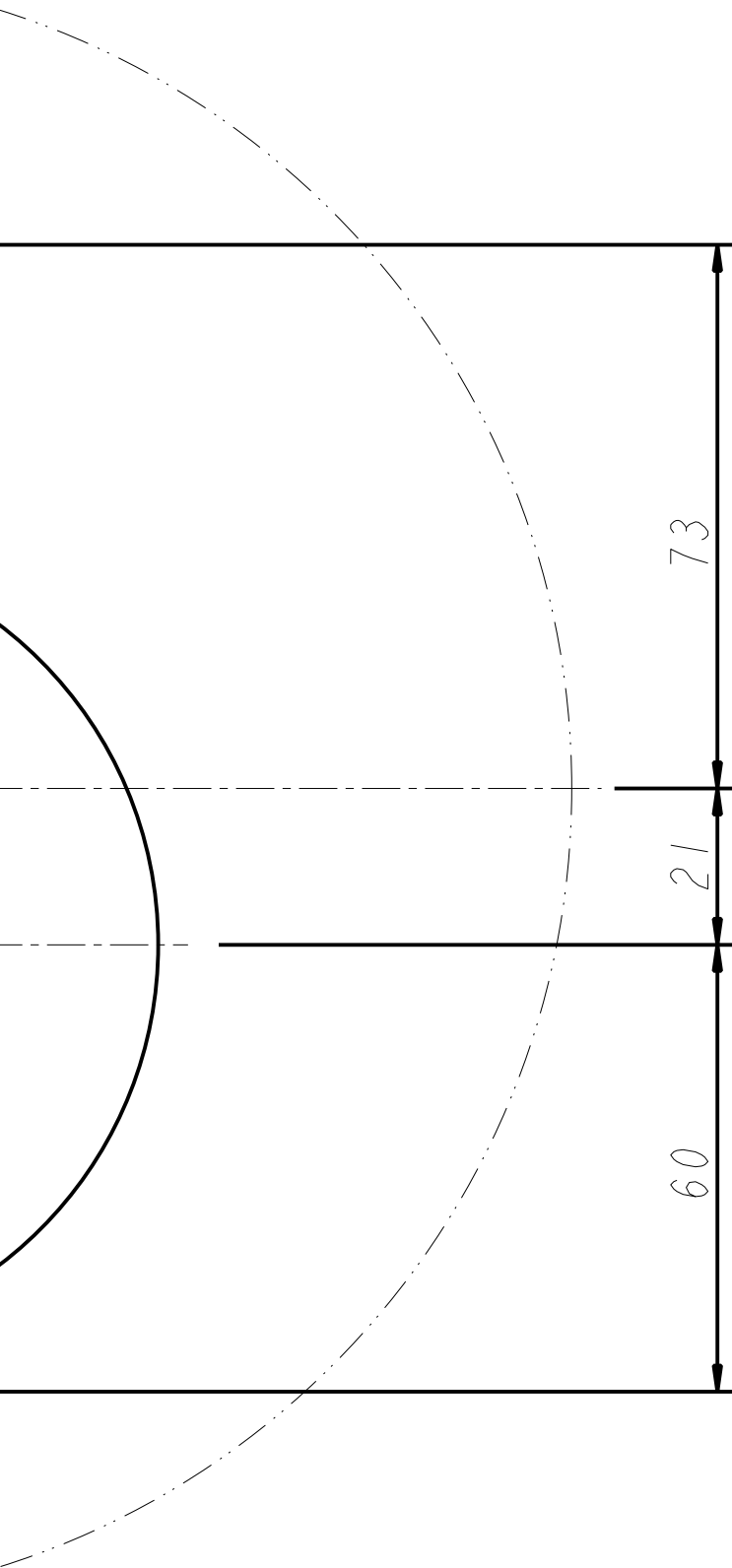
$\varnothing 219$ O.D.
OUTLINE OF
NEW FONT

$\varnothing 108$ HOLE
FOR FONT

$\varnothing 10$ CUT-AWAY TO CLEAR
M6 STUD UNDER FONT

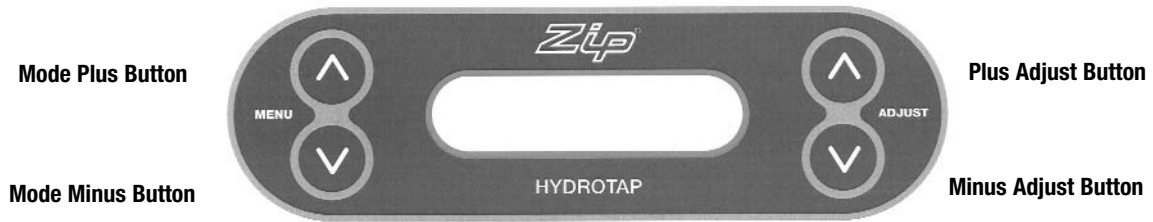


$\varnothing 35.0^{+0.5}_0$ HOLE FOR TUBES
FROM TAP TO GO THROUGH



SCALE 0.300

Setting the Energy Saver Timer (products with this feature only)



Normal Operation (not available on HT boiling only series)

Set Time

To change time, press either Mode \wedge or Mode \vee button until Set Time is on the display screen. Press \wedge Adjust button to increase time or \vee Adjust button to decrease time. Time increases or decrease in increments of one minute. Hold the Adjust buttons down for rapid increases or decreases. The time will be displayed in 24Hr mode.

Note:

Mode buttons change the screen options

Adjust buttons select the screen options

Set Language (option for EU models only)

EU models will have the default language set for German. To select English as the default press the \vee Adjust button. To select German as the default Press \wedge Adjust button.

Set Day

Press either Mode \wedge or Mode \vee button until Set Day is displayed.

Press \wedge Adjust or \vee Adjust to select day.

Filter Life (factory set at 6000 Ltrs)

Press either Mode \wedge or Mode \vee button until Filter Life is displayed.

Press \wedge Adjust button to increase Filter Life or \vee Adjust button to decrease Filter Life.

Filter Life increases in 1000 Ltr increments to a maximum of 10000 Ltrs.

Reset Litres Filtered

This function is to reset the Filter Change display after a filter has reached the end of its life (refer to "Replace Filter Instructions" section of this document).

Press either Mode \wedge or Mode \vee button until "Litres Filtered" is displayed. Press \wedge Adjust once and "Reset Counter" will be displayed, press \wedge Adjust button once and "Are You Sure" will be displayed.

Press \wedge Adjust once and "Litres Filtered" will be reset to 0.

Activating Sleep Mode

This mode allows the HydroTap to go into Energy Saving mode. In this mode the unit will go to "sleep" after a pre-determined period of inactivity. Press either Mode \wedge or Mode \vee button until "Sleep Mode" is displayed. Press \wedge Adjust once to select 2 Hours or twice to select 4 Hours.

When the period of inactivity passes, the display will show "Sleep Mode".

During the "Sleep Mode" the Red LED on top of the tap lever will flash slowly.

To de-activate the sleep mode, momentarily operate the Hot lever and then allow sufficient time for the water to reach the set temperature

Activating On / Off Mode

Press the Mode \wedge or Mode \vee button until "Monday On" is displayed. To set the time for the unit to turn on press \wedge Adjust button until required time is reached.

To set the time for the unit to turn Off press Mode \wedge button once and "Monday Off" will be displayed. Now press \wedge Adjust until required time is reached.

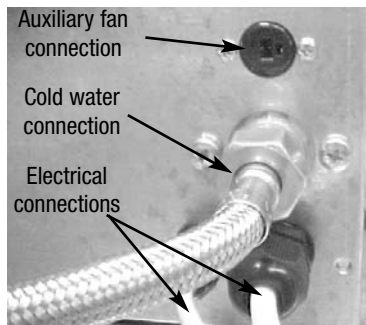
If each individual day is to have an "On / Off" time, these steps need to be repeated for each day and for each On / Off time.

Setting the Energy Saver Timer (continued)

Note:

The HydroTap may be temporarily activated during the On / Off Mode. By operating the levers, the unit will go into normal operation and then remain in an "ON" cycle, until the next "OFF" cycle.

Auxiliary Fan Attachment (excluding HT boiling only models)



The HydroTap is equipped with an auxiliary fan connection point on the rear panel close to the cold water inlet / flex and plug area. The fan kit is available as a spare part. The fan operates in parallel with the Condensor fan helping to remove heat from the cupboard space. This fan should be purchased and connected to the HydroTap if the airflow characteristics of the cupboard space are inadequate for the effective removal of hot air, thereby adversely affecting the operation of the HydroTap.

The fan can be installed so that it extracts air from, or forces air into the cupboard space, whichever is the most effective for your installation.

Application of the fan is of paramount importance in situations where the cupboard space reaches temperatures greater than 35°C.

The exhaust fan kit must be fitted, when supplied with the appliance.

Note: The 150/175 models are supplied with the auxiliary fan kit

Boiling Water Isolation (excluding HT boiling only models)

The HydroTap is equipped with a safety mode that allows protection against accidental operation by infirmed or disabled persons.

1. On the LCD scroll through the menu to Hot Isolation.
2. Press adjust ^ to activate.
3. Now go to the Tap Head assembly and press the Safety Lock (3) three times rapidly, the LED's will scroll from left to right (3) three times. This operation confirms the activation.
4. This isolates the boiling tap only. The LCD shows isolation mode is active.
5. To de-activate, press the Safety Lock (3) three times rapidly, the LED's will scroll from right to left (3) three times. This operation confirms de-activation.
6. The LCD will show Normal Operation.
7. If de-activation mode is required, de-activate by scrolling through the menu and selecting de-activate when Hot isolation Mode is displayed on the screen.

Set the Hot & Cold water dispensing times

The ability to change the maximum dispensing time for both the Hot and Cold water has been introduced. The default settings for the maximum dispensing times is 15 secs. The ability to change both the Hot and Cold dispensing times between 5 and 15 secs, in increments of 1 sec, is accessible through the Menu screen on the LCD.

Scroll through the Menu until the Dispense Hot screen is displayed, then use the adjust buttons to set the required dispensing time for the Hot water.

Follow the same procedure to access the Dispense Cold or Dispense Amb (on boiling ambient models) screens.

Trouble Shooting

Symptom	Possible Cause	Solution
No LED display, no tap head lights or, no water when tap levers are operated.	No power.	Check power supply.
	Plug is not located in power socket.	Ensure power plug is correctly fitted and switch is turned ON.
	Tap loom is not connected to HydroTap unit.	Check loom connection.
	Possible internal fault.	Contact local Zip Service Provider.
No water flow.	Program in OFF cycle	Check LCD for information.
	Water supply isolated.	Check water supply is on.
	Water supply not connected.	Check to ensure plumbing connection is made.
	Power supply not connected.	Check power plug is correctly fitted and switch is turned on.
	Tap loom is not connected to HydroTap unit.	Check for loom connection
	Possible internal fault.	Contact local Zip Service Provider.
Slow water recovery after use.	Program in OFF cycle.	Check LCD for information.
	Filter may require replacement.	Check filter usage on LCD screen, if "filter change" is displayed follow instructions on page 13.
Water not hot.	Unit is in Sleep Mode.	Touch Hot lever and wait for Red LED to stop flashing.
	Unit has just come out of OFF cycle.	Wait for Red LED to stop flashing.
	Possible internal fault.	Contact local Zip Service Provider.
Water not chilled.	Excessive use, unit refilling or chilling down to temperature.	Wait for Blue LED to stop flashing.
	Possible internal fault.	Contact local Zip Service Provider.
Alternating display messages:	More than one fault identified at the same time	Record the number and type of faults Contact local Zip Service Provider

End of life disposal

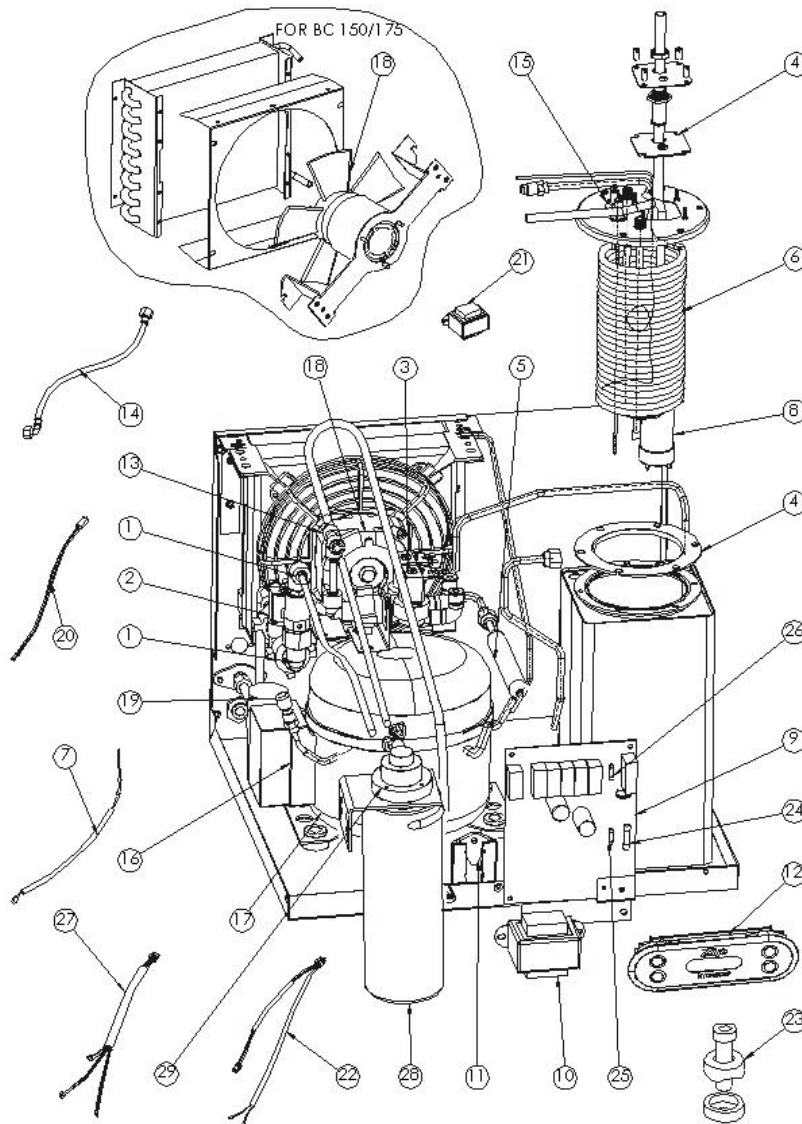


The use of this crossed out wheeled bin logo indicates that this product needs to be disposed of separately to any other household waste.

Within each of the European Union member countries, provisions have been made for the collection and recycling of unwanted electrical and electronic equipment. Outside of the EU it will be necessary to dispose of this product at your local community waste collection or recycling centre.

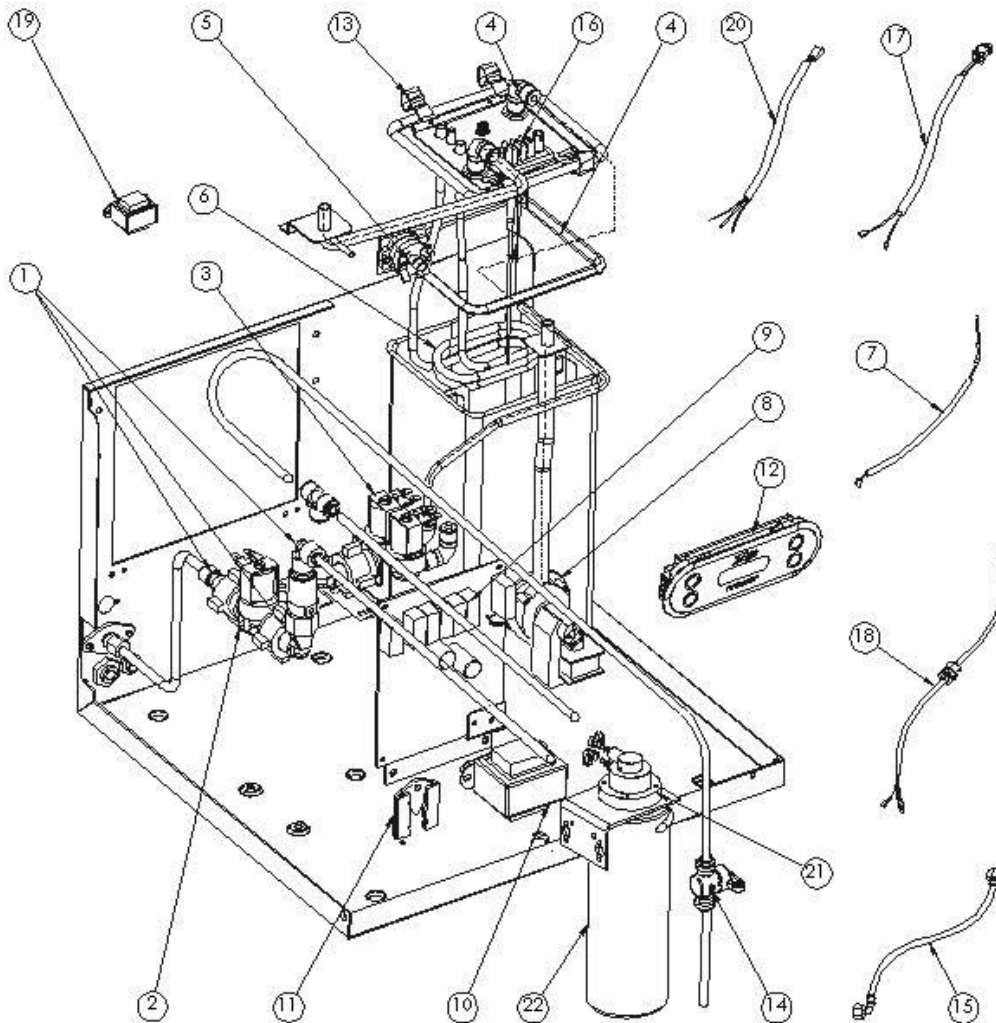
In order to help preserve our environment we ask that you dispose of this product correctly. Please contact your local city council for collection centre details

Exploded View B/C-Chiller Module and Spare Parts



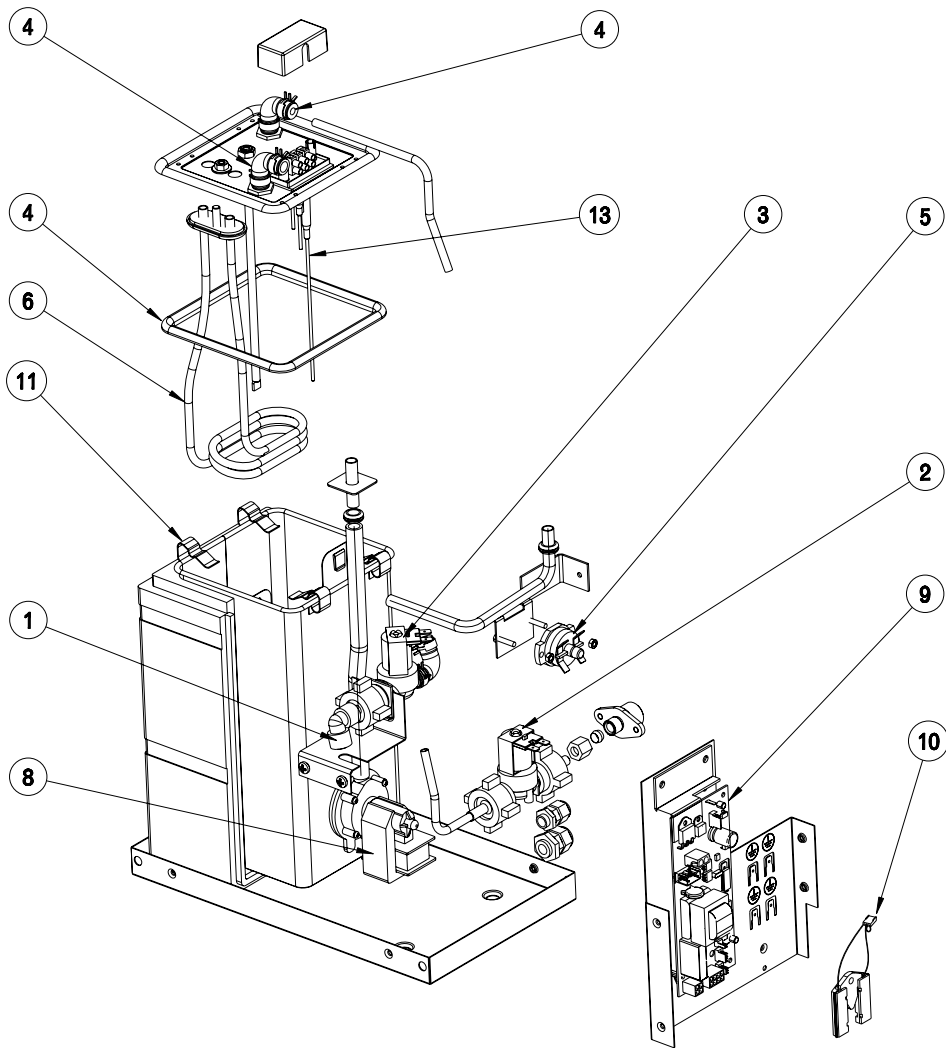
ITEM	KIT NO	DESCRIPTION	ITEM	KIT NO	DESCRIPTION
1	90613	PLUMBING & FITTINGS KIT	15	90635	LEVEL SENSOR KIT COLD TANK BC 100/125
2	90614	SAFETY SOLENOID KIT	15	90627	LEVEL SENSOR KIT COLD TANK BC 150/175
3	90615	DOUBLE SOLENOID KIT	16	90636	RELAY COMPRESSOR KIT BC 100/125
4	90631	GASKET & ELBOWS KIT COLD TANK	16	90024	RELAY COMPRESSOR KIT BC 150/175
5	90626	DRYER-FILTER KIT W/ NUT & TUBE	17	90637	COMPRESSOR KIT BC 100/125
6	90632	EVAPORATOR KIT BC 100/125	17	90023	COMPRESSOR KIT BC 150/175
6	90641	EVAPORATOR KIT BC 150/175	18	90639	FAN MOTOR KIT BC 100/125
7	90633	SENSOR PROBE KIT COLD	18	90640	FAN MOTOR KIT BC 150/175
8	90634	PUMP KIT COLD	19	90437	CAPACITOR KIT BC 100/125
9	90622	PCB KIT BC100/125 & BC150/175	19	90020	CAPACITOR KIT BC 150/175
9	90663	PCB KIT DOMESTIC BC60/85	20	90185	LOOM LEVEL SENSOR KIT
9	90664	PCB KIT B100 & B150	21	90652	TRANSFORMER KIT-AUXILLARY FAN
9	90665	PCB KIT DOMESTIC BC60	22	90188	LOOM-SOLENOIDS KIT
9	90666	PCB KIT B100F & B150F	23	90041	ø35mm CHASSIS PUNCH
9	90667	PCB KIT DOMESTIC B60F	24	90671	3ag - 10Amp FUSE
9	90668	PCB KIT DOMESTIC AMBIENT BF60	25	90670	2ag - 10Amp FUSE
10	90623	TRANSFORMER KIT	26	90669	2ag - 1Amp FUSE
11	90624	LEAK SENSOR KIT	27	90187	LOOM-COMPRESSOR TO FAN KIT
12	90625	CONTROL PANEL KIT	28	91241	FILTER CARTRIDGE KIT
13	90628	STOP VALVE & JOHN GUEST FITTING KIT FILTER	29	99108	FILTER HEAD KIT
14	90056	FLEXIBLE BRAIDED INLET HOSE KIT			

Exploded View B/C-Boiler Module and Spare Parts

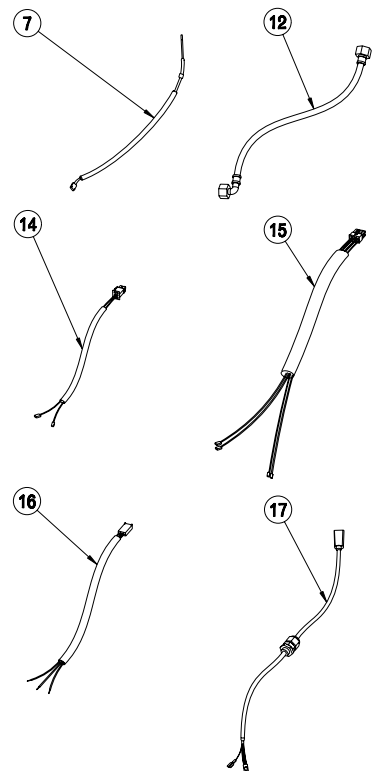


ITEM	KIT NO	DESCRIPTION	ITEM	KIT NO	DESCRIPTION
1	90613	PLUMBING & FITTINGS KIT	12	90625	CONTROL PANEL KIT
2	90614	SAFETY SOLENOID KIT	13	90130	CLIPS KIT
3	90615	DOUBLE SOLENOID KIT	14	90628	STOP VALVE & JOHN GUEST FITTING KIT FILTER
4	90616	GASKET & ELBOWS KIT BC 100/125	15	90056	FLEXIBLE INLET HOSE KIT
4	90617	GASKET & ELBOWS KIT BC 150/175	16	90629	LEVEL SENSOR KIT HOT TANK BC 100/125
5	90579	OVERLOAD KIT	16	90630	LEVEL SENSOR KIT HOT TANK BC 150/175
6	90618	ELEMENT 1500W KIT	17	90186	LOOM-OVERLOAD KIT
6	90619	ELEMENT 1800W KIT	18	90190	LOOM+GLAND MAIN PCB TO TAP
7	90620	SENSOR PROBE KIT HOT	19	90652	TRANSFORMER KIT AUXILLARY FAN
8	90621	PUMP KIT HOT	20	90189	LOOM-LEVEL SENSOR KIT HOT
9	90622	PCB KIT	21	99108	FILTER HEAD KIT
10	90623	TRANSFORMER KIT	22	91241	CARTRIDGE-FIVE MICRON TRIPLE ACTION
11	90624	LEAK SENSOR KIT			

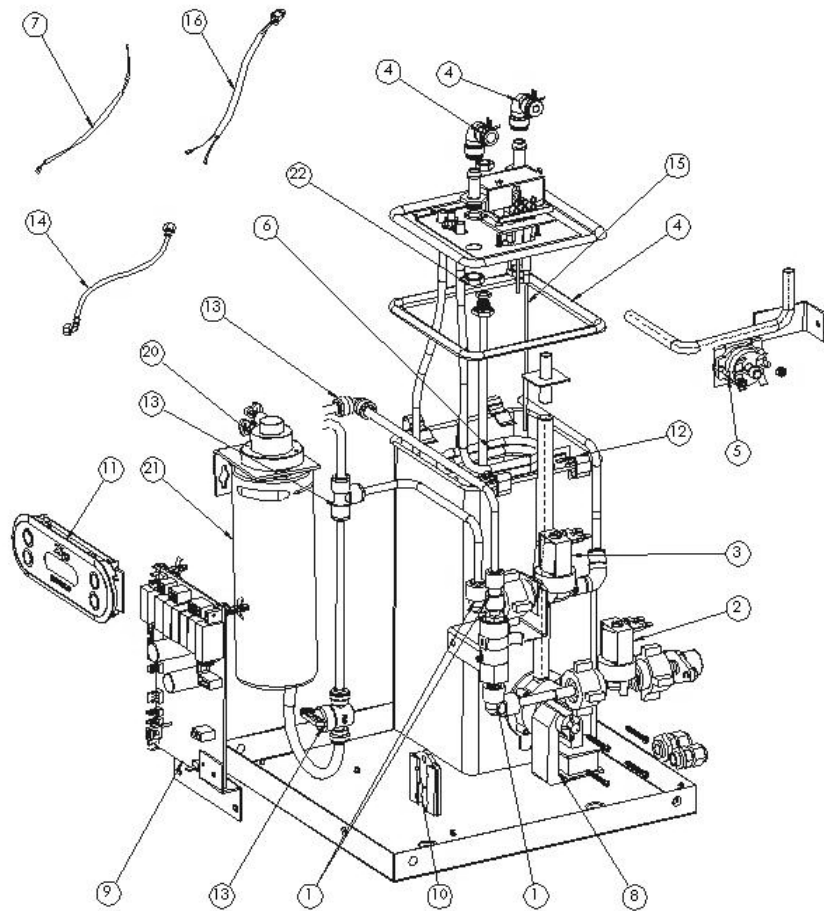
Exploded View HT Series Boiling Only and Spare Parts



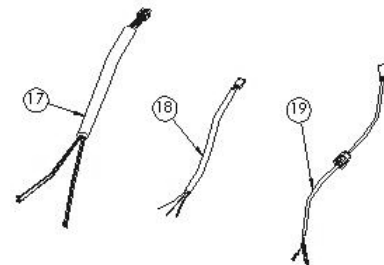
ITEM	KIT NO.	DESCRIPTION
1	90656	Plumbing and Fittings kit
2	90614	Safety Solenoid Kit
3	90657	Single Solenoid Kit
4	90658	Gasket and Elbow Kit BC 100/125
5	90579	Overload Kit
6	90618	Element 1500 watt Kit
7	90620	Sensor Probe Hot
8	90621	Pump Kit Hot
9	90689	PCB Kit Boiling Only
10	90624	Leak Sensor Kit
11	90130	Clips Kit
12	90056	Flexible Inlet Hose Kit
13	90690	Level Sensor Kit Hot Tank H/T 60/85
14	90186	Loom-Overload Kit
15	90661	Loom-Solenoids Kit
16	90189	Loom-Level Sensor Kit Hot
17	90190	Loom and Gland Main PCB to Tap



Exploded View B Series Boiling Only Filtered and Spare Parts



ITEM	KIT NO	DESCRIPTION
1	90656	PLUMBING & FITTINGS KIT
2	90614	SAFETY SOLENOID KIT
3	90657	SINGLE SOLENOID KIT
4	90658	GASKET & ELBOWS KIT BC 100/125
4	90659	GASKET & ELBOWS KIT BC 150/175
5	90579	OVERLOAD KIT
6	90618	ELEMENT 1500W KIT
6	90619	ELEMENT 1800W KIT
7	90620	SENSOR PROBE KIT HOT
8	90621	PUMP KIT HOT
9	90660	PCB KIT BOILING ONLY UNITS
10	90624	LEAK SENSOR KIT
11	90625	CONTROL PANEL KIT
12	90130	CLIPS KIT
13	90628	STOP VALVE & JOHN GUEST FITTINGS KIT
14	90056	FLEXIBLE BRAIDED INLET HOSE KIT
15	90629	LEVEL SENSOR KIT HOT TANK BC 100/125
16	90630	LEVEL SENSOR KIT HOT TANK BC 150/175
16	90186	LOOM-OVERLOAD KIT
17	90661	LOOM-SOLENOIDS KIT
18	90189	LOOM-LEVEL SENSOR KIT HOT
19	90190	LOOM+GLAND MAIN PCB TO TAP
20	99108	FILTER HEAD KIT
21	91241	CARTRIDGE-FIVE MICRON TRIPLE ACTION



NOTE:

In the Boiling Only Unfiltered version the only items that are not in the spare part list are:

ITEMS 13 and the double non-return valve.

For Boiling Ambient Models BF60 and BFD60 units, use a Double Solenoid Kit P/No. 90615 for Item 3.

Notes

Notes

Warranty

Certain warranties may be implied by law into your contract with Zip. The warranty provided below is additional to these implied warranties and nothing set out below shall limit your statutory rights or rights at law.

Zip Heaters (Aust) Pty Ltd warrants that, should any part fail within 12 calendar months of installation, that part will be repaired or replaced free of charge by Zip or its Distributor or Service Provider, except as set out below, provided the appliance is installed and used strictly in accordance with the instructions supplied, and that failure is not due to accident, misuse, abuse, unsuitable water conditions, or to any alteration, modification or repair by any party not expressly nominated by Zip. Zip shall be the sole arbiter of whether there is a part failure intended to be covered by this warranty.

No costs are payable by you other than any mileage or travelling-time charges incurred by a Zip Service Provider or the cost of removal, cartage and re-installation of any component of the appliance if it needs to be returned for repair to Zip or its Distributor.

This warranty does not cover damage resulting from non-operation of the appliance, the use of non authorised parts or consequential damage to any other goods, furnishings or property.

No warranty applies to the life of any filtration cartridge installed with the appliance as cartridge life may vary according to water quality and the rate of water consumption.

Zip does not exclude, restrict or modify any liability that cannot be excluded, restricted or modified or which cannot, except to a limited extent, be excluded, restricted or modified as between the owner or user and Zip under the laws applicable.

Furthermore, this warranty does not displace any statutory warranty, but, to the extent to which Zip is entitled to do so, the liability of Zip under any statutory warranty will be limited at Zip's option to the replacement of the appliance or supply of equivalent appliance, the payment of the cost of replacing the appliance or acquiring an equivalent appliance, or the payment of the cost of having the appliance repaired or the repair of the appliance.

Head Office

Zip Heaters (Aust) Pty. Ltd.
ABN: 46 000 578 727
67 Allingham Street
Condell Park NSW 2200
Postal: Locked Bag 80
Bankstown 1885 Australia

Website: www.zipheaters.com
Facsimile: (02) 9796 3858
Telephone: (02) 9796 3100
Free Call: 1 800 638 633

Registering Your Purchase

Registering your Zip installation on the Zip website may help to establish date of installation should it become necessary to service the appliance under terms of the Zip warranty. To register your installation go to www.zipheaters.com and look under the heading "Warranty".

As Zip policy is one of continuous product improvement, changes to specifications may be made without prior notice. Images in this booklet have been modified and may not be true representations of the finished goods.



The standard cup referred to in this publication is 167 ml (6 fl oz).

The standard glass is 200 ml (7 fl oz).

The terms "Zip" and "HydroTap" are registered trade marks of Zip Heaters (Aust) Pty Ltd. Zip products described in this publication are manufactured under one or more of the following patents: AU675601, AU637412, AU635979, GB0422305, GB2065848, US4354049, US5103859, and US5099825. Other patents are in force and patent applications are pending.