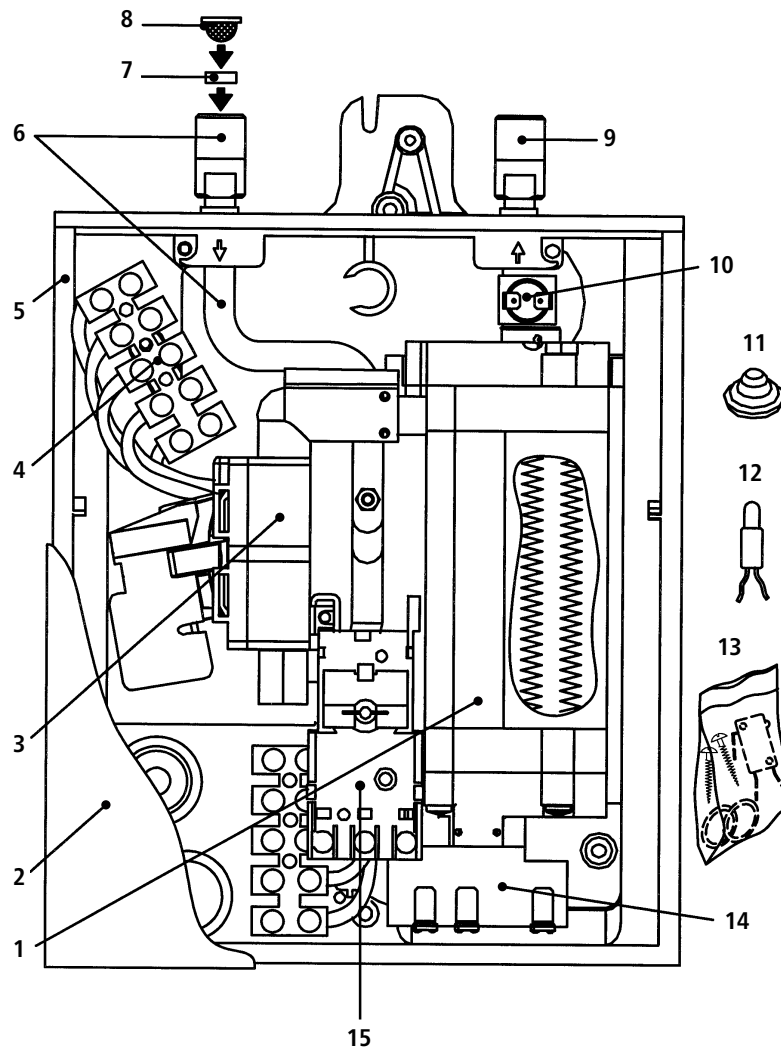


Instant multipoint water heater CBH 7 / CBH 11 (since 2004)



Pos.	Art.-No.	Description	Euro*	Pos.	Art.-No.	Description	Euro*
1	86510	CBH 7 heating cartridge 6.9 kW / 400 V	75.00	11	82180	Grommet	4.00
	86515	CBH 11 heating cartridge 11.0 kW / 400 V	85.00	12	86040	'Power' lamp 400 V	5.00
2	86520	Front cover	24.00		86030	'Overheat' lamp 230 V	5.00
3	86530	CBH 7 differential pressure switch	62.00	13	86580	Small spare parts with seals, screws, micro switch and filter	12.00
	86540	CBH 11 differential pressure switch	62.00	14	81320	Safety temperature limiter	46.00
4	86610	Connection terminal	4.00	15	86060	Control panel holder	5.00
5	86050	Bottom part	18.00			Not shown:	
6	86551	Cold water inlet	20.00		86010	Set connecting pieces with seals, dowels, 2 screws and nozzle	8.00
7	81074	Flow limiter 4 l/min	4.00		86999	Heat-conductive paste	6.00
	81075	Flow limiter 5 l/min	4.00				
8	80080	Fine Filter	4.00				
9	86570	Hot water outlet	20.00				
10	86090	Temperature monitor	18.00				

When ordering, please always specify the appliance model and serial number from the rating plate. Further spare parts on request.

CLAGE GmbH
 Pirolweg 1–5, 21337 Lüneburg
 Fon: +49(0)4131·8901-0
 Fax: +49(0)4131·83 200
 E-mail: export@clage.de

Service:
 Fon: +49(0)4131·8901-40
 Fax: +49(0)4131·8901-41
 E-mail: service@clage.de
 Internet: www.clage.de