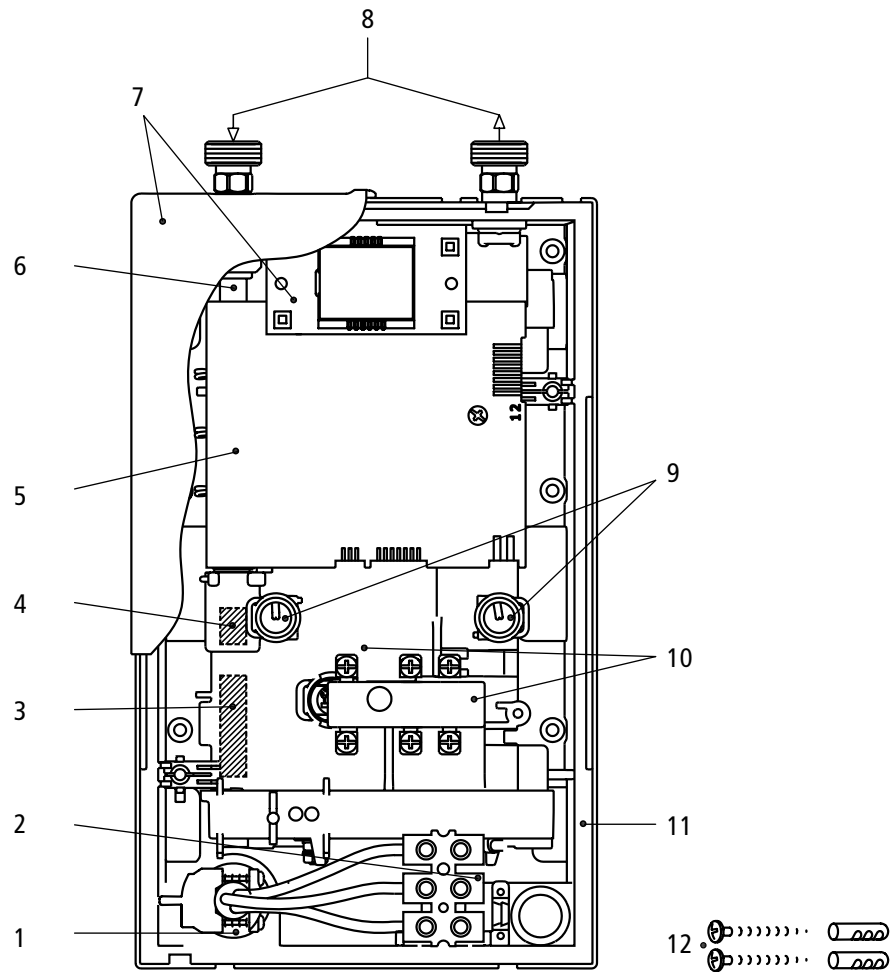


Instantaneous water heater CEX 9-U



Pos.	Art.-No.	Description	Euro*	Pos.	Art.-No.	Description	Euro*
1	82806	Grommet	4.00	8	82813	Water connections 1/2"	14.00
2	86250	Connecting terminal	4.00	9	82851	Temperature sensor set from 08/2012	32.00
3	82819	Flow sensor	28.00	10	82810	Heating element with STDB	140.00
4	82246	Non-return valve	4.00	11	82809	Bottom part	16.00
5	82811	PCB CEX9	90.00	12	82817	Set of small parts	3.50
6	82802	Inlet pipe	22.00				
7	82800	CEX-U front cover with control panel	39.00				

Parts in **bold type** are key components for servicing purposes.

When ordering, please always specify the appliance model and serial number from the rating plate. Further spare parts on request.

CLAGE GmbH
 Pirolweg 1–5, 21337 Lüneburg
 Fon: +49 (0) 4131 8901-0
 Fax: +49 (0) 4131 83 200
 E-mail: export@clage.de

Service:
 Fon: +49 (0) 4131 8901-40
 Fax: +49 (0) 4131 8901-41
 E-mail: service@clage.de
 Internet: www.clage.de