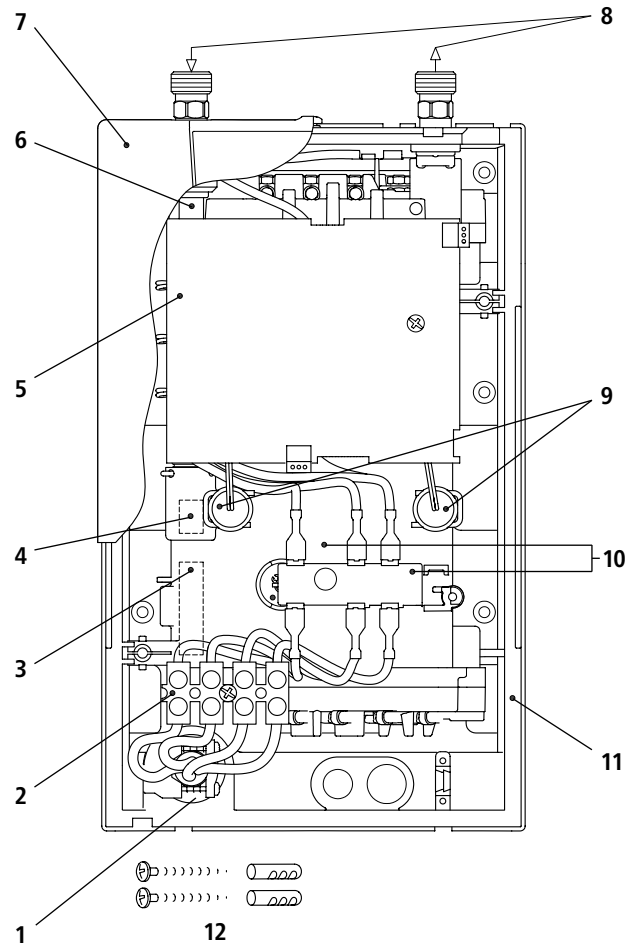


# Instantaneous water heater CFX-U



Pos.	Art.-No.	Description	Euro*	Pos.	Art.-No.	Description	Euro*
1	82806	Grommet	2.00	9	<b>82512</b>	<b>Temperature sensor set before 08/2012</b>	<b>32.00</b>
2	86250	Connection terminal	4.00		<b>82851</b>	<b>Temperature sensor set after 08/2012</b>	<b>32.00</b>
3	<b>82819</b>	<b>Flow sensor</b>	<b>28.00</b>	10	82808	Heating element	115.00
4	<b>82246</b>	<b>Non-return valve</b>	<b>4.00</b>	11	82809	Bottom part	16.00
5	82803	PCB CEX / CFX	90.00	12	<b>82817</b>	<b>Set of small parts</b>	<b>3.50</b>
6	82802	Inlet pipe	22.00				
7	82900	CFX hood	26.00				
8	82807	Water connections 3/8"	14.00				

Parts in **bold type** are key components for servicing purposes.

When ordering, please always specify the appliance model and serial number from the rating plate. Further spare parts on request.

CLAGE GmbH  
 Pirolweg 1–5, 21337 Lüneburg  
 Fon: +49 (0) 4131 8901-0  
 Fax: +49 (0) 4131 83 200  
 E-mail: export@clage.de

Service:  
 Fon: +49 (0) 4131 8901-40  
 Fax: +49 (0) 4131 8901-41  
 E-mail: service@clage.de  
 Internet: www.clage.de