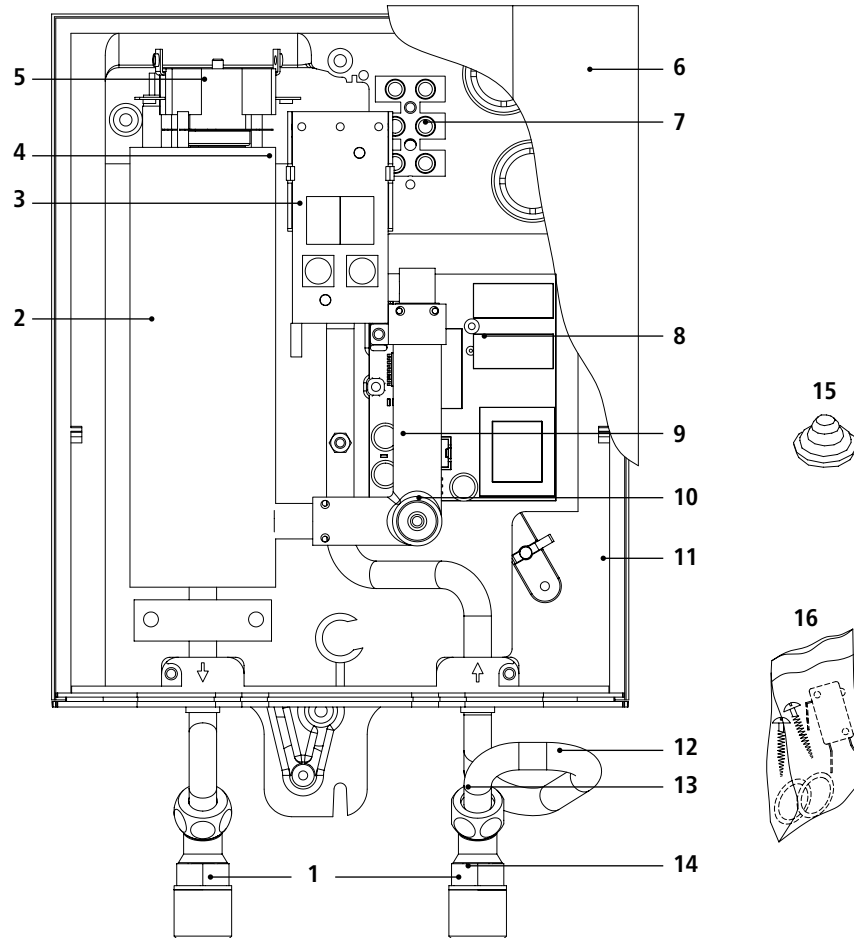


Hydraulic instant water heater CRX6..9 (since 08/2005)



Pos. Art.-No.	Description	Euro*	Pos. Art.-No.	Description	Euro*
1	86025 Connection set CRX6 with connection piece, flow limiter, non-return valve and fine filter	15.00	9	86270 Flow sensor CLAVISION	28.00
	86026 Connection set CRX7 with connection piece, flow limiter, non-return valve and fine filter	15.00	10	86072 Temperature sensor	16.00
	86027 Connection set CRX9 with connection piece, flow limiter, non-return valve and fine filter	15.00	11	86050 Bottom part	16.00
2	86856 CRX6 tubular heating element 6.6 kW / 230 V	89.00	12	86283 CRX cold water inlet pipe	16.00
	86807 CRX7 tubular heating element 7.2 kW / 220 V	94.00	13	81075 Flow limiter 5 l/min CRX9	4.00
	86809 CRX9 tubular heating element 8.8 kW / 230 V	96.00		81074 Flow limiter 4 l/min CRX7	4.00
3	86240 CX control panel	24.00		89106 Flow limiter 3.5 l/min CRX6	4.00
4	86060 Part/lamp holder	5.00	14	80080 Fine filter	4.00
5	86820 Safety thermal cut-out with heat conductor paste	54.00	15	82180 Grommet	4.00
6	86312 Front cover	15.00	16	86792 Small spare parts with seals, screws, filter, valve and convoluted	12.00
7	86255 Connection terminal	4.00			
8	86836 CRX6 PCB with heat-conductive paste	54.00		Not shown:	
	86850 CRX7 PCB with heat-conductive paste	54.00	17	86999 Heat-conductive paste	6.00
	86839 CRX9 PCB with heat-conductive paste	54.00			

Parts in **bold type** are key components for servicing purposes.

When ordering, please always specify the appliance model and serial number from the rating plate. Further spare parts on request.

CLAGE GmbH
 Pirolweg 1–5, 21337 Lüneburg
 Fon: +49(0)4131·8901-0
 Fax: +49(0)4131·83200
 E-mail: export@clage.de

Service:
 Fon: +49(0)4131·8901-40
 Fax: +49(0)4131·8901-41
 E-mail: service@clage.de
 Internet: www.clage.de