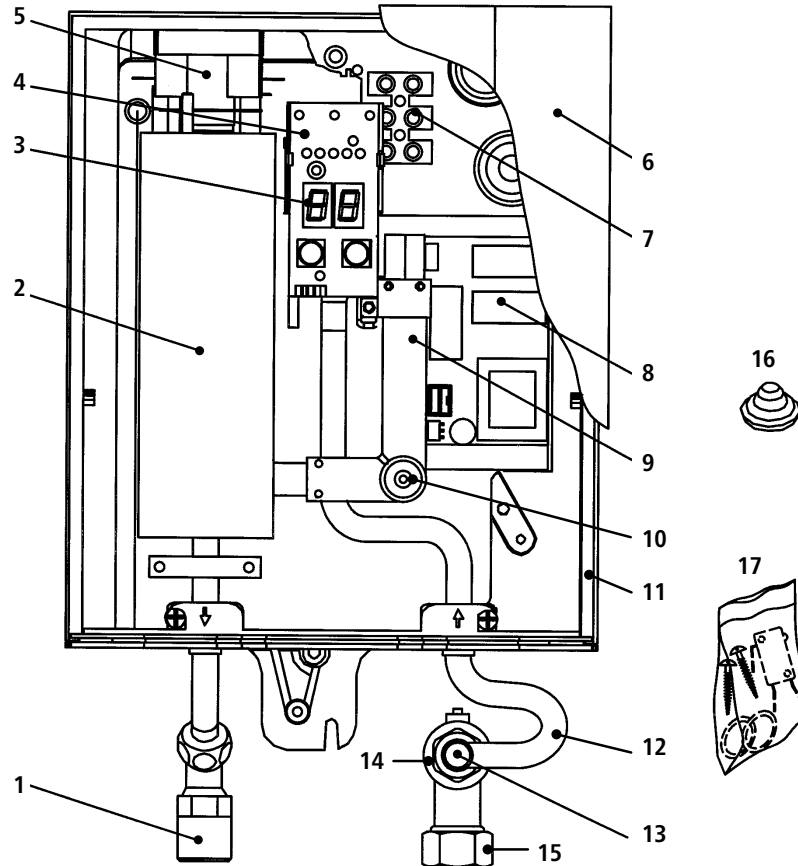


Hydraulic instant water heater CRX6..9b (since 08/2005)



Pos.Art.-No.	Description	Euro*	Pos.Art.-No.	Description	Euro*
1	86287 Connection piece	5.00	11	86050 Bottom part	18.00
2	86856 CRX6 tubular heating element 6.6 kW / 230V	89.00	12	86282 CRX_b cold water inlet	16.00
	86807 CRX7 tubular heating element 7.2 kW / 220V	94.00	13	81075 Flow limiter 5 l/min CRX9	4.00
	86809 CRX9 tubular heating element 8.8 kW / 230V	96.00		81074 Flow limiter 4 l/min CRX7	4.00
3	86240 Control panel	24.00		89106 Flow limiter 3.5 l/min CRX6	4.00
4	86060 Part/lamp holder	5.00	14	80080 Fine filter	4.00
5	86820 Safety temperatur limiter with heat-conductive paste	54.00	15	86285 Cold water connection	7.00
6	86312 Front cover	15.00	16	82180 Grommet	4.00
7	86255 Connection terminal	4.00	17	86792 Small spare parts with seals, screws, filter, valve and convolution	12.00
8	86836 CRX6 PCB with heat-conductive paste	54.00			
	86850 CRX7 PCB with heat-conductive paste	54.00			
	86839 CRX9 PCB with heat-conductive paste	54.00			
9	86270 Flow sensor CLAVISION	28.00	Not shown:		
10	86072 Temperature sensor	16.00	18	86999 Heat-conductive paste	6.00

When ordering, please always specify the appliance model and serial number from the rating plate. Further spare parts on request.

CLAGE GmbH
 Pirolweg 1–5, 21337 Lüneburg
 Fon: +49(0)4131·8901-0
 Fax: +49(0)4131·83200
 E-mail: export@clage.de

Service:
 Fon: +49(0)4131·8901-40
 Fax: +49(0)4131·8901-41
 E-mail: service@clage.de
 Internet: www.clage.de