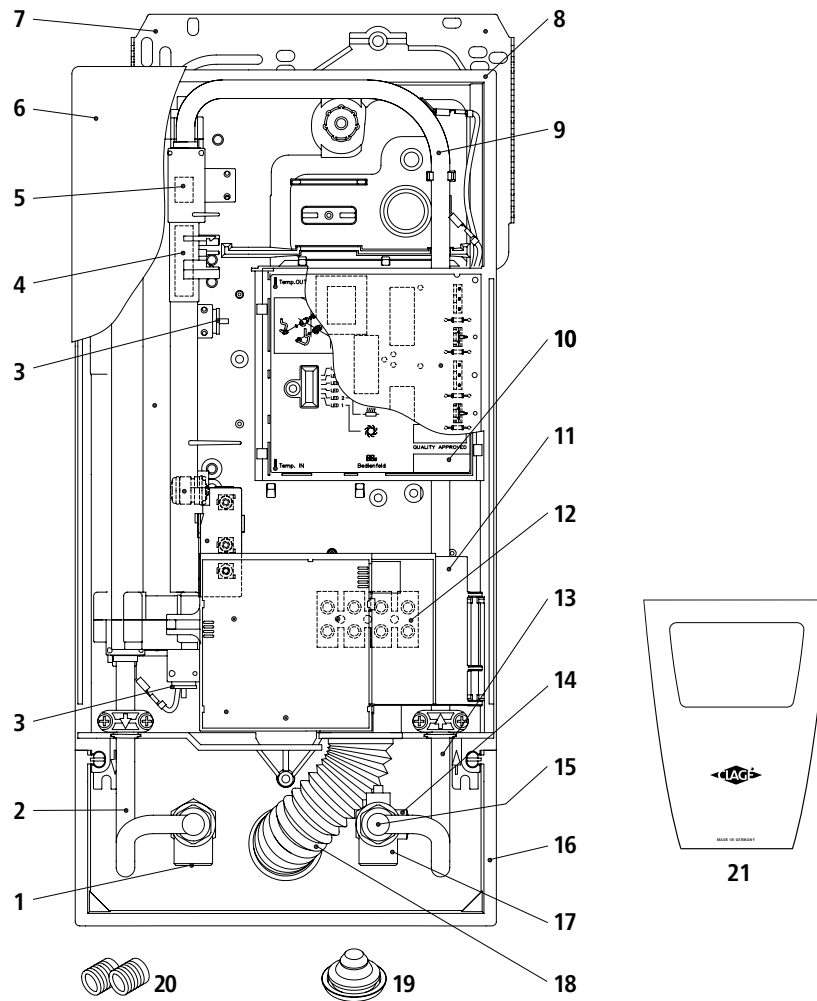


Instantaneous water heater DBX (since 08/2012)



Pos.	Art.-No.	Description	Euro*	Pos.	Art.-No.	Description	Euro*
1	82085	Hot water connection	25.00	15	89111	Flow limiter 7 l/min	3.00
2	82529	Outlet pipe	12.00		89110	Flow limiter 8 l/min	3.00
3	82851	Temperature sensor set 2.1	32.00		89109	Flow limiter 9 l/min	3.00
4	82526	Flow sensor	14.00	16	82571	Frame	6.00
5	82246	Non-return valve	6.00	17	82074	Cold water connection	25.00
6	82501	DBX hood	25.00	18	82060	Water splash protection sleeve	5.00
7	82520	Wall bracket	5.00	19	82180	Grommet	4.00
8	82505	Bottom part	15.00	20	82110	Screw-in nipples 1/2"	4.00
9	82591	DBX/DEX connecting pipe	10.00	21	82504	Faceplate	7.00
10	82852	PCB cover 2.1	5.00				
11	82573	Control panel support	5.00		Not shown:		
12	82572	Connecting terminal	4.00	22	82598	Set of small spare parts	10.00
13	82531	Inlet pipe	15.00				
14	82162	Fine filter	5.00				

Parts in **bold type** are key components for servicing purposes.

When ordering, please always specify the appliance model and serial number from the rating plate. Further spare parts on request. Please contact our customer service if you have a defect heating element or electronic board.

CLAGE GmbH
 Pirolweg 1–5, 21337 Lüneburg
 Fon: +49(0)4131·8901-0
 Fax: +49(0)4131·83 200
 E-mail: export@clage.de

Service:
 Fon: +49(0)4131·8901-40
 Fax: +49(0)4131·8901-41
 E-mail: service@clage.de
 Internet: www.clage.de