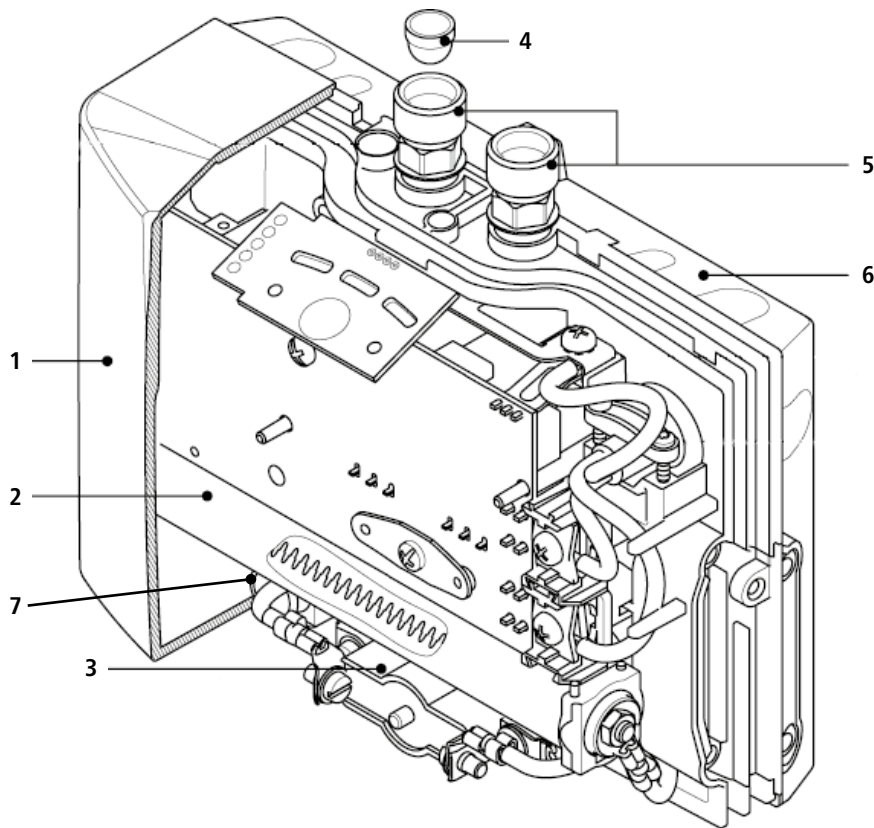


# Mini instantaneous water heaters MCX3..7



Pos.	Art.-No.	Description	Euro*	Pos.	Art.-No.	Description	Euro*
1	80901	Front cover with control panel	24.00	6	80902	MCX complete fixing set (wall bracket with screws and dowels)	9.00
2	80903	MCX heating cartridge 3.5 kW / 230 V	38.00	7	80910	Temperature sensor (polarity protection)	16.00
	80904	MCX heating cartridge 4.4 kW / 230 V	38.00				
	80906	MCX heating cartridge 5.7 kW / 230 V	45.00				
	80907	MCX heating cartridge 6.5 kW / 400 V	45.00				
3		MCX Safety temperature limiter (STB) with modification instructions, contact fitting, seals etc.				Not shown:	
	80911	2-pole	36.00		80913	MCX3 mains cable with earthed plug, cable seal and strain relief	12.00
	80912	1-pole	34.00		80914	MCX4 / 7 mains cable (without plug), cable seal and strain relief	10.00
4	80080	MCX fine filter	4.00		80915	MCX6 mains cable (without plug), cable seal and strain relief	12.00
5	80909	MCX water connector-set with two water connectors and seals (mounted and greased) fastening safty earthing terminal and filter	24.00		80908	MCX set of small spare parts (seals, nozzle for cable entry, terminal, installation grease, screws, wheel nut & discs)	12.00

When ordering, please always specify the appliance model and serial number from the rating plate. Further spare parts on request.

CLAGE GmbH  
Pirolweg 1–5, 21337 Lüneburg  
Fon: +49 (0) 4131 · 8901-0  
Fax: +49 (0) 4131 · 83 200  
E-mail: export@clage.de

Service:  
Fon: +49 (0) 4131 · 8901-40  
Fax: +49 (0) 4131 · 8901-41  
E-mail: service@clage.de  
Internet: www.clage.de