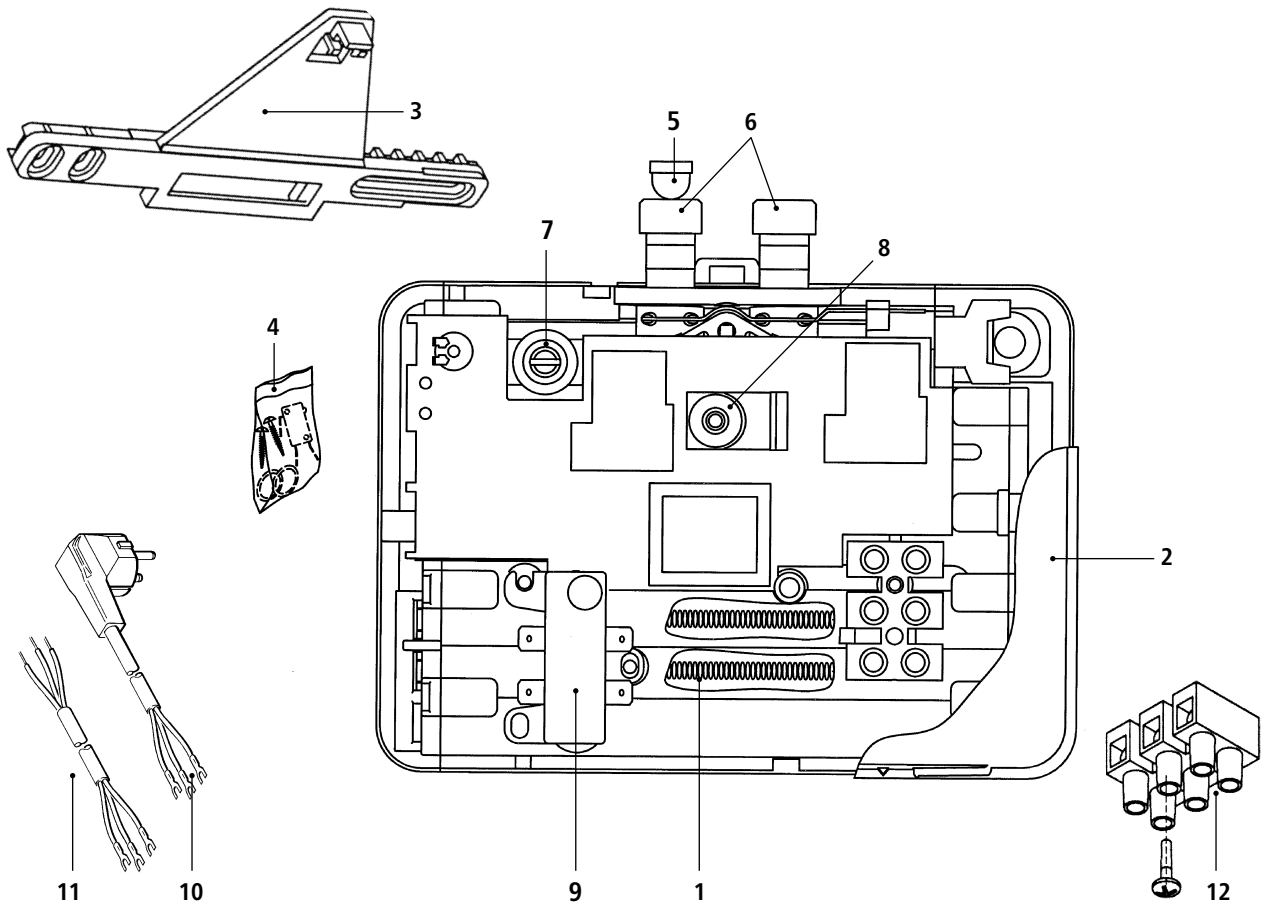


# Mini instantaneous water heaters MDX3..7



Pos.	Art.-No.	Description	Euro*	Pos.	Art.-No.	Description	Euro*
1	80324	<b>MDX3 heating spirals 3.5 kW / 230V</b>	24.00	8	86072	<b>Temperature sensor</b>	16.00
	80326	<b>MDX4 heating spirals 4.4 kW / 230V</b>	24.00	9	80427	<b>MDX safety thermal cut-out incl. exchange instruction, contact nipples, seals (mounted and greased), heat-conductive paste, rubber disc and screws</b>	34.00
	80327	<b>MDX6 heating spirals 2×2.85 kW / 230V</b>	30.00	10	80373	MDX mains cable with earthed plug, cable seal, strain relief with screws	12.00
	80328	<b>MDX7 heating spirals 2×3.25 kW / 400V</b>	30.00	11	80382	MDX mains cable (without plug), cable seal, strain relief with screws	10.00
2	80699	MDX front cover	13.00	12	80120	MDX 3pole connection terminal 230V	4.00
3	80352	<b>MDX complete fixing set (wall bracket with screws and dowels)</b>	8.00		80125	MDX 3pole connection terminal 400V	4.00
3	80689	<b>Wall bracket MDX</b>	7.00	13	80391	Instruction manual set with available languages	0.00
4	80353	<b>MDX set of small spare parts KES (seals, nozzle for cable entry, insulating screw joint, installation grease, screws, wheel nut &amp; discs)</b>	12.00				
5	80080	<b>MDX fine filter</b>	4.00				
6	80354	MDX water connection set incl. two water connectors and seals (mounted and greased), fastening earth clip and fine filter	24.00				
7	80372	MDX flow adjustment screw with seal 3.5 / 4.4 kW	9.00				
	803721	MDX flow adjustment screw with seal 5.7 / 6.5 kW	9.00				

Parts in **bold type** are key components for servicing purposes.

When ordering, please always specify the appliance model and serial number from the rating plate. Further spare parts on request.

CLAGE GmbH  
 Pirolweg 1–5, 21337 Lüneburg  
 Fon: +49(0)4131·8901-0  
 Fax: +49(0)4131·83 200  
 E-mail: export@clage.de

Service:  
 Fon: +49(0)4131·8901-40  
 Fax: +49(0)4131·8901-41  
 E-mail: service@clage.de  
 Internet: www.clage.de