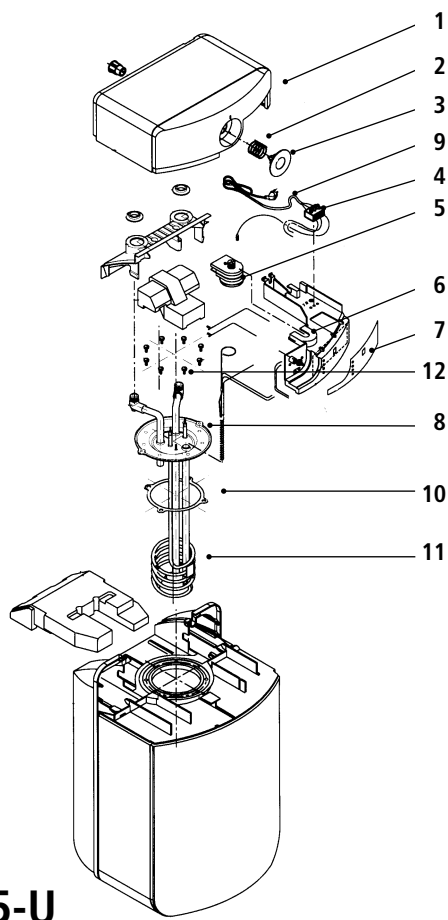
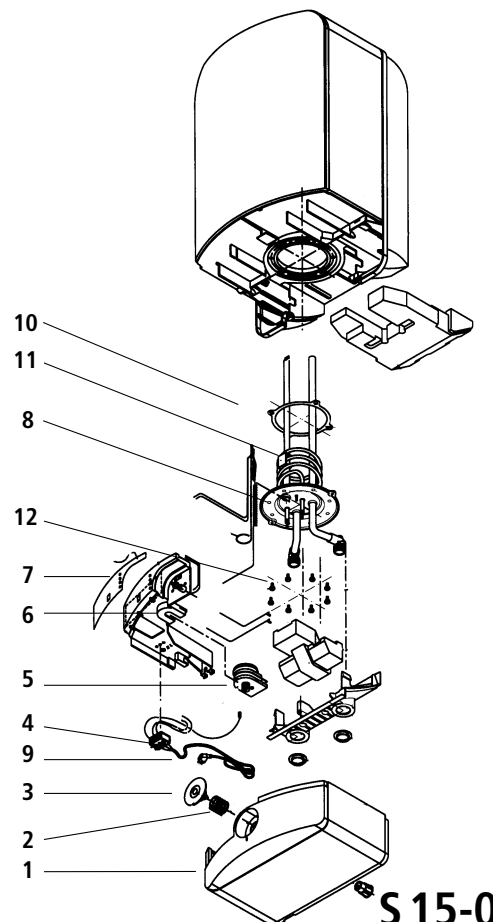


# Storage water heater S 15-U and S 15-O



## S 15-U



## S 15-O

Pos.	Art.-No.	Description	EUR*	Pos.	Art.-No.	Description	EUR*
1	83010	Appliance hood (-U/-O)	20.00	8	83230	Fastening flange	5.00
2	83025	Hood's mounting screw	2.00	9	83130	Connecting cable with plug	8.00
3	83150	Booster button	13.00	10	83260	Flanged joint	5.55
	83498	Temperature selector (till year of constr. 97)	8.90	11	83210	Heating element 2.2kW / 230V(-U)	55.90
4	83090	Binding post	4.00		83220	Heating element 2.2kW / 230V(-O)	55.90
5	83100	Safety thermal cut-out	51.90	12	83240	Screws M6 x 14 (heating element)	1.00
6	83120	Electronic control	130.35				
7	83060	Operating folio S 15 (-U)	4.00				
	83070	Operating folio S 15 (-O)	4.00	not shown:			
				13	83250	Mounting bracket	5.00

When ordering, please always specify the appliance model and serial number from the rating plate. Further spare parts on request. Please contact our customer service if you have a defect heating element or electronic board.

CLAGE GmbH  
 Pirolweg 1–5, 21337 Lüneburg  
 Fon: +49(0)4131·8901-0  
 Fax: +49(0)4131·83 200  
 E-mail: export@clage.de

Service:  
 Fon: +49(0)4131·8901-40  
 Fax: +49(0)4131·8901-41  
 E-mail: service@clage.de  
 Internet: www.clage.de