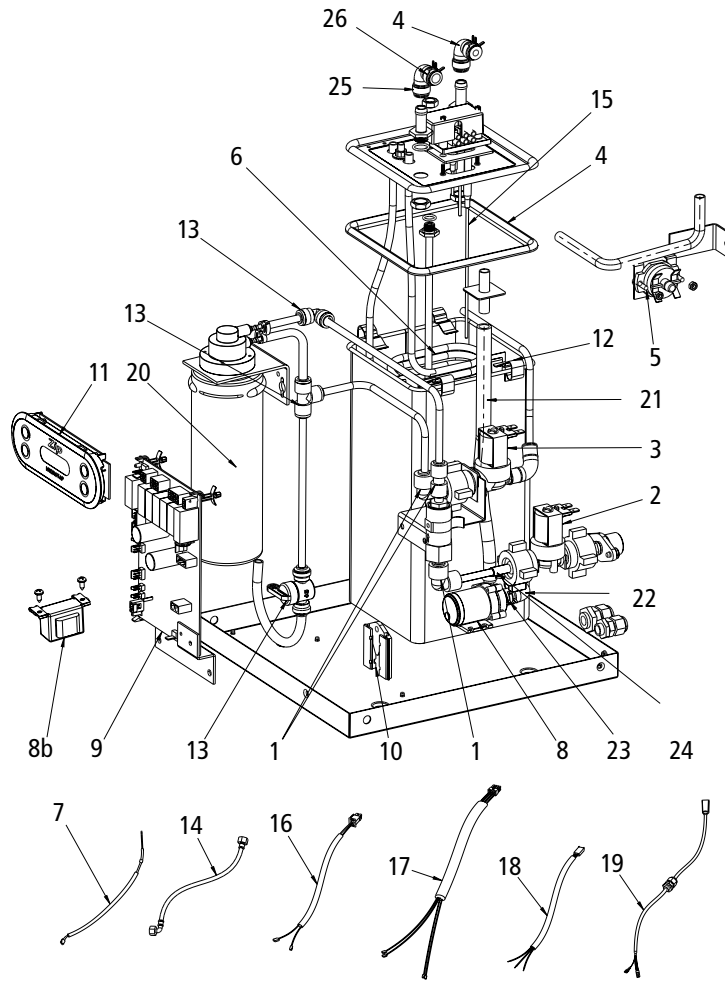


ZIP HydroTap® B 100 F



Pos.	Art.-No.	Description	Euro*	Pos.	Art.-No.	Description	Euro*
1	890656	Plumbing & fittings kit	31.00	19	890190	Loom+gland main PCB to tap	26.00
2	890614	Safety solenoid kit	26.00	20	4100-		
3	890657	Double solenoid kit	24.00	44103		Filter cartridge	85.00
4	890658	Gasket & elbows kit BC 100 / 125	20.00	21	883113	Silicone hose heating case	9.00
5	890579	Overload protection	30.00	22	881163	Elbow pump	2.50
6	890618	Heating element 1500W kit	46.00	23	882121	ZIP Clamp 15×9.5 mm	1.10
7	890620	Sensor probe kit hot	26.00	24	883130	ZIP Clamp 10.5×8.2 mm	1.10
8	890788	Pump set for conversion from 230V to 12V	155.00	25	882122	ZIP Clamp 12×8 mm	1.10
8a	890790	Pump 12V	105.00	26	889114	ZIP Clamp 12×8 mm (brass)	1.10
8b	890791	Transformer for pump	69.00	Not shown:			
9	890660	PCB kit	153.00	890913		Exchange heating case KIT	297.00
10	890624	Leak sensor kit	18.00	(case, fill level sensor, temperature sensor, heating element)			
11	890625	Control panel kit	93.00	890118		Special gripper for clips	42.85
12	890130	Clips kit	18.00	84400		Tap chrome	243.00
13	890628	Stop valve & John Guess fitting kit filter	48.00	4100-			
14	890056	Flexible braided inlet hose kit	26.00	44105		Tap high quality steel-optic	345.00
15	890629	Level sensor kit hot tank BC 100 / 125	40.00	Equipment:			
16	890186	Loom-overload kit	18.00	84494		ESO 6 spare filter cartridge	99.16
17	890661	Loom-magnet valve	18.00	84496		Decalcifying agent 2 kg	58.00
18	890189	Loom-level sensor kit hot	20.00				

When ordering, please always specify the appliance model and serial number from the rating plate. Further spare parts on request.

CLAGE GmbH
 Pirolweg 1–5, 21337 Lüneburg
 Fon: +49 (0)4131-8901-0
 Fax: +49 (0)4131-83200
 E-mail: export@clage.de

Service:
 Fon: +49 (0)4131-8901-40
 Fax: +49 (0)4131-8901-41
 E-mail: service@clage.de
 Internet: www.clage.de