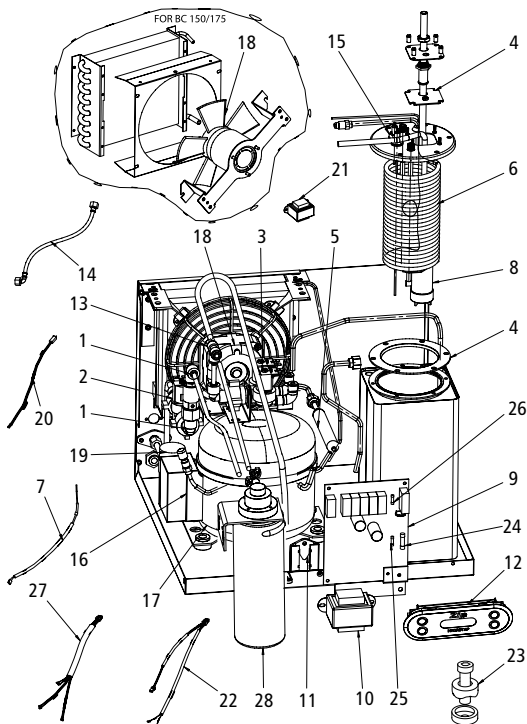
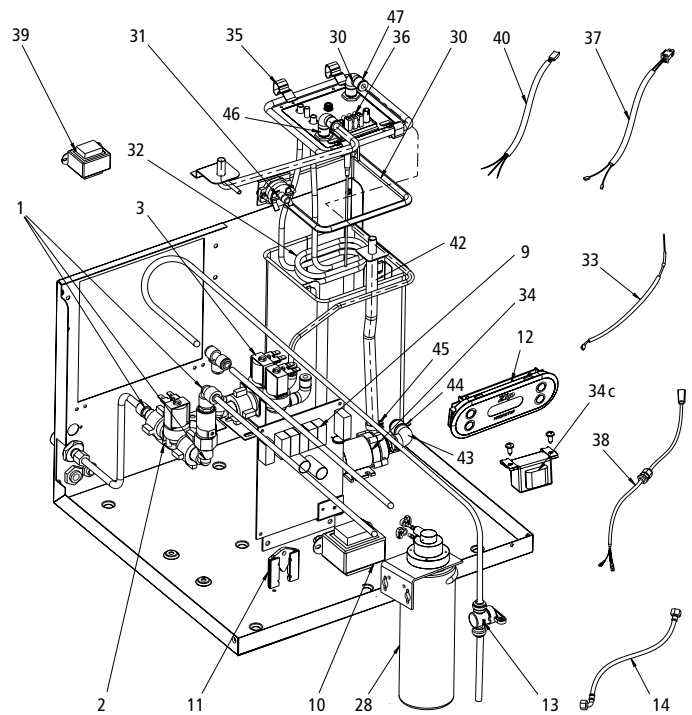


ZIP HydroTap BC 100/125 and BC 150/175

Cold water module



Boiling water module



Pos.	Art.-No.	Description	Euro*
1	890613	Plumbing & fittings kit	37.00
2	890614	Safety solenoid kit	26.00
3	890615	Double solenoid kit	33.00
4	890631	Gasket & elbows kit cold tank	20.00
5	890626	Dryer-filter kit W/ nut & tube	17.00
6	890632	Evaporator kit BC 100/125	89.00
6	890641	Evaporator kit BC 150/175	126.00
7	890633	Sensor probe kit cold	18.00
8	890634	Pump kit cold	42.00
9	890622	PCB kit BC 100/125 & BC 150/175	237.00
10	890623	Transformer kit	40.00
11	890624	Leak sensor kit	18.00
12	890625	Control panel kit	93.00
13	890628	Stop valve & John Guess fitting kit filter	48.00
14	890056	Flexible braided inlet hose kit	26.00
15	890635	Level sensor kit cold tank BC 100/125	16.00
15	890627	Level sensor kit cold tank BC 150/175	16.00
16	890636	Relay compressor kit BC 100/125	69.00
16	890024	Relay compressor kit BC 150/175	70.00
17	890637	Compressor kit BC 100/125	187.00
17	890023	Compressor kit BC 150/175	190.00
18	890639	Fan motor kit BC 100/125	71.00
18	890640	Fan motor kit BC 150/175	95.00
19	890437	Capacitor kit BC 100/125	72.00
19	890020	Capacitor kit BC 150/175	72.00
20	890185	Loom level sensor kit	26.00
21	890652	Transformer kit auxillary fan	26.00
22	890188	Loom-solenoids kit	26.00
23	890041	35mm chassis punch	100.00
24	890671	3ag – 10Amp fuse	18.00
25	890670	2ag – 10Amp fuse	16.00
26	890669	2ag – 1Amp fuse	16.00
27	890187	Loom-compressor to fan kit	18.00
28	4100-44103	Filter cartridge	85.00

Pos.	Art.-No.	Description	Euro*
30	890616	Gasket & elbows kit BC 100/125	22.00
30	890617	Gasket & elbows kit BC 150/175	24.00
31	890579	Overload kit	30.00
32	890618	Element 1500W kit	46.00
32	890619	Element 1800W kit	50.00
33	890620	Sensor probe kit hot	26.00
34	890788	Pump set BC 100/125 for conversion	155.00
34 a	890789	Pump set BC 150/175 for conversion	160.00
34 b	890790	Pump 12V	105.00
34 c	890791	Transformer for pump	69.00
35	890130	Clips kit	18.00
36	890629	Level sensor kit hot tank BC 100/125	40.00
36	890630	Level sensor kit hot tank BC 150/175	40.00
37	890186	Loom-overload kit	18.00
38	890190	Loom+gland main PCB to tap	26.00
39	890652	Transformer kit auxillary fan	26.00
40	890189	Loom-level sensor kit hot	20.00
41	887172	Air grille	7.50
42	883113	Silicone hose heating case	9.00
43	881163	Elbow pump	2.50
44	882121	ZIP Clamp 15×9,5 mm	1.10
45	883130	ZIP Clamp 10,5×8,2 mm	1.10
46	882122	ZIP Clamp 12×8 mm	1.10
47	889114	ZIP Clamp 12×8 mm (brass)	1.10
Not shown:			
	890118	Special gripper for clips	42.85
	890913	Exchange heating case KIT BC 100/125*	297.00
	890914	Exchange heating case KIT BC 150/175*	324.00
* Kit-substance: case, fill level sensor, temperature sensor, heating element			
Equipment:			
	84494	ESO 6 spare filter cartridge	99.16
	84496	Decalcifying agent 2kg	58.00

CLAGE GmbH
 Pirolweg 1–5, 21337 Lüneburg
 Fon: +49 (0)4131-8901-0
 Fax: +49 (0)4131-83200
 E-mail: export@clage.de

Service:
 Fon: +49 (0)4131-8901-40
 Fax: +49 (0)4131-8901-41
 E-mail: service@clage.de
 Internet: www.clage.de

Parts in **bold type** are key components for servicing purposes.

When ordering, please always specify the appliance model and serial number from the rating plate. Further spare parts on request.