

E-compact instant water heater CFX-U



Application areas

Single point supply:

- > Kitchen sink
- > Washbasin
- > Double washbasin



E-compact instant water heater

CFX-U

Product information



Energy efficiency class **A** (Scale: A+ to F) **CFX-U** (Multiple Power System: 11 or 13.5 kW adjustable)

Part number:	2400-26313	
Type:	closed-outlet	
Maximum operating pressure [MPa (bar)]:	1 (10)	
Water connections (thread connections):	G 3/8"	
User set temperature [°C]:	20 to 60	
Hot water output at $\Delta t = 33\text{ K}^{1) 2)}$ [l/min]:	4.8	5.8 ³⁾
Switch-on flow rate / max. flow rate ⁴⁾ [l/min]:	2 / 5	
Nominal power rating [kW]:	11	13.5
Supply voltage:	3~ / PE 400 V AC	
Nominal current ²⁾ [A]:	16	20
Required cable diameter ²⁾ [mm ²):	1.5	2.5
Bare wire heating system IES®:	✓	
Ready for Smart Control:	✓	
Ready for FX wireless remote control:	✓ (included)	
Solar-compatible, suitable for reheating (inlet temperature $\leq 70\text{ °C}$):	✓	
VDE approved / Protection class:	✓ / IP 24	
Specific water resistance at 15 °C [Ωcm] \geq :	1000	
Nominal volume [litres]:	0.3	
Weight filled with water [kg]:	approx. 2.7	
Dimensions (height × width × depth) [cm]:	29.4 × 17.7 × 10.8	

1) Temperature increase e.g. from 12 °C to 45 °C 2) Depending on the selected power rating 3) Mixed water 4) Limited flow amount for optimal temperature increase

Description

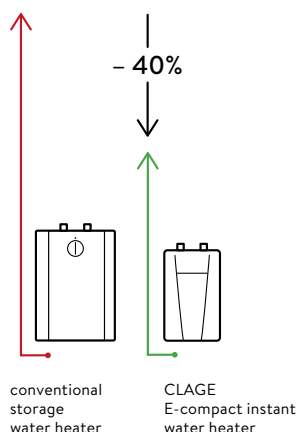
- > Electronically controlled instant water heater (undersink model) with compact design and wireless remote control
- > The heating output is electronically controlled. This provides an ideal hot water temperature without the need to add cold water at the tap.
- > Temperature setting from 20 °C to 60 °C via bidirectional wireless remote control
- > Easy installation under the kitchen sink facilitated by small dimensions and external 3/8 inch water connectors
- > With power cable for 3-phase power supply
- > Precise temperatures due to TWIN TEMPERATURE control TTC® up to the capacity of the appliance
- > The efficient bare wire heating system IES® reduces lime scale deposits and provides an extended service life
- > Connection Kit (T-piece and flexible connecting hose) for an angle valve is included
- > With the Multiple Power System MPS®, the maximum power rating is set at the time of installation: 11 or 13.5 kW
- > Can also be controlled via tablet or smartphone (iOS 9 or higher / Android-OS 4.4 or higher, CLAGE Home Server and the »Smart Control« app required)
- > Solar-compatible (inlet temperature $\leq 70\text{ °C}$)

*) iOS is a registered trademark of Apple Inc.
Subject to technical changes and version changes. Errors and omissions excepted. Date of publication: 08.17

Profitability comparison (Source: www.clage.com)

Saves up to 40 % energy compared to conventional storage heaters.

The E-compact instant water heater features an economical operation. The water is heated directly as it flows through the unit. Hot water is not stored in a tank, which saves standby energy that would be otherwise required.



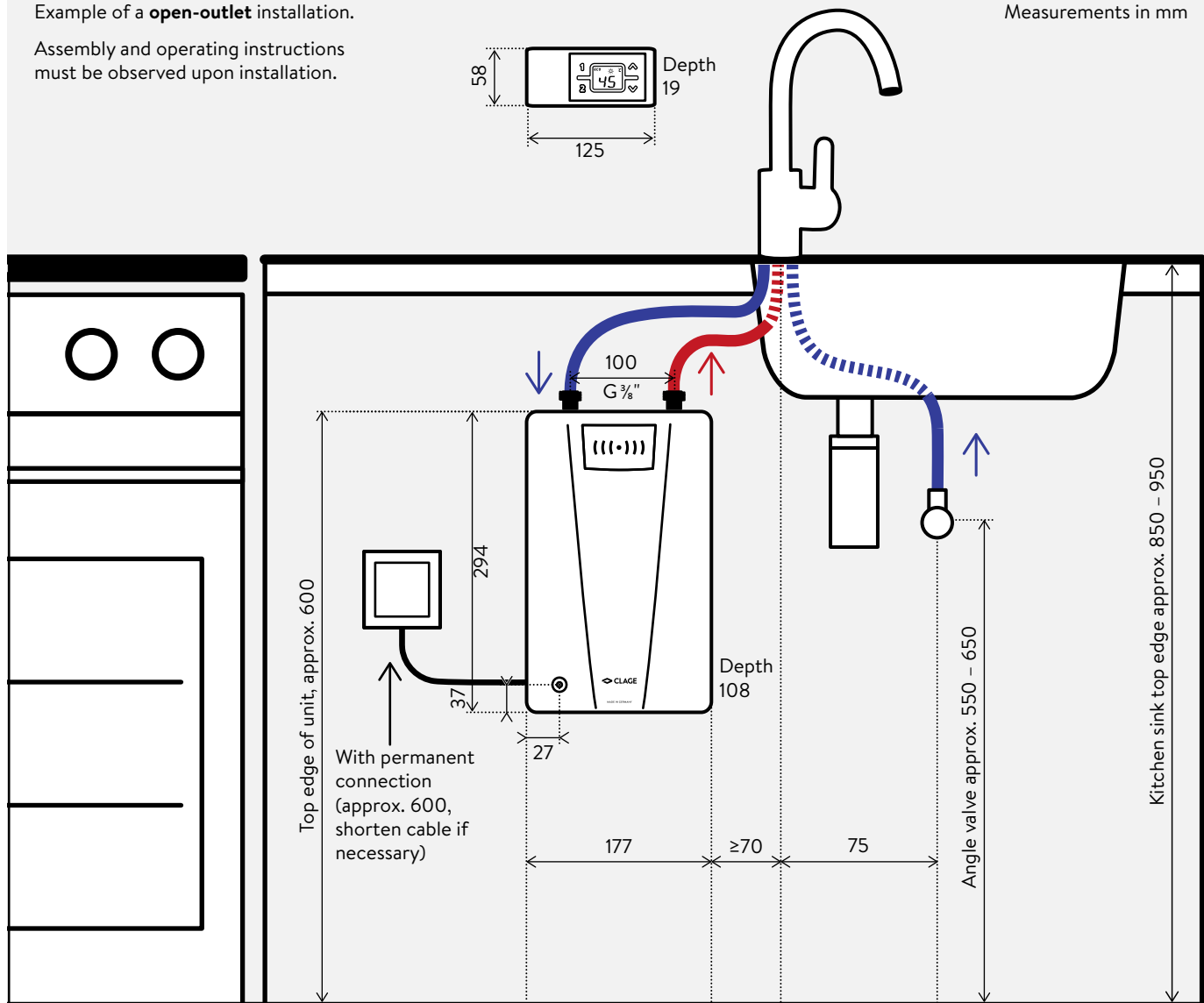
E-compact instant water heater CFX-U Installation



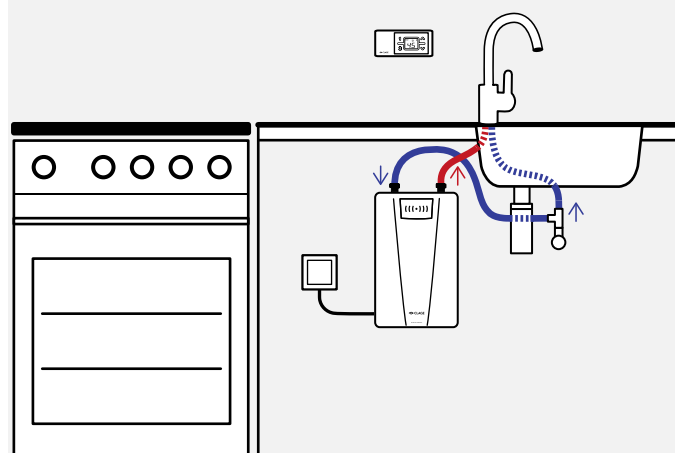
Example of a **open-outlet** installation.

Assembly and operating instructions must be observed upon installation.

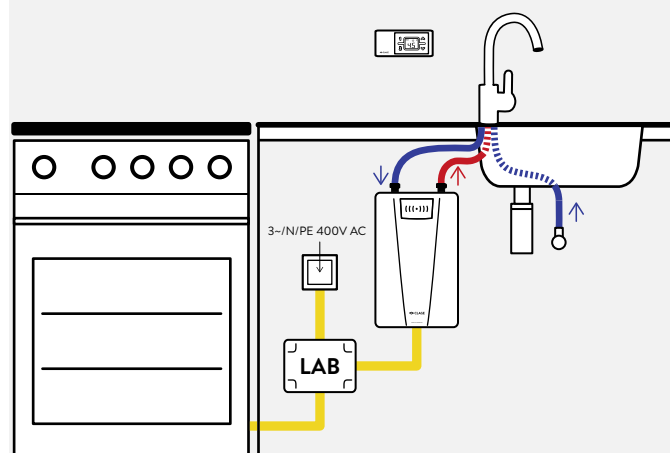
Measurements in mm



Alternative: **closed-outlet** installation



Electrical connection with **load shedding switch LAB** at only one existing 400 Volt cooker terminal outlet box, if no separate outlet is available for the instant water heater.



E-compact instant water heater CFX-U Accessories



FX (included)

In addition to user controls directly at the unit, the remote control allows for convenient temperature adjustment of the instant water heater at interior distances of up to 10 meters. Secure, bidirectional wireless transfer, two-button temperature selection between 20 °C and 60 °C plus two pre-set buttons and LCD display, magnetic wall holder and batteries included. IP 20. Dimensions (H × W × D): 5.8 × 12.5 × 1.9 cm

FX: Part no. 2400-26050



Accessory for undersink installation (included)

FVS

Flexible connecting hose $\frac{3}{8}$ inch cap nut × $\frac{3}{8}$ inch cap nut, length 50 cm

Part no. 89620

T-piece

Special T-connector $\frac{3}{8}$ inch cap nut × $\frac{3}{8}$ inch angle valve 10 mm

Part no. 89610



LAB (optional)

Load shedding module (electrical installation kit) with pre-installed cables, contactor and load shedding relay, for joint connection of an instant water heater and an electromechanical cooker at a cooker terminal outlet box, if no separate outlet is available for the instant water heater. IP 55. Dimensions (H × W × D): 18 × 13 × 8 cm

LAB: Part no. 82260



Recommended accessories for kitchen application (optional)

EAK (vented)

Single-lever mixer tap with side lever and swivel spout 20 cm

EAK: Part no. 1100-04430



Recommended accessories for bath application (optional)

EWT / EWT-C

Single-lever mixer tap, nickel and lead free waterways,
Easy-Fix fastening system and drawbar drain fitting,
spout 11.2 cm, height x width: 15,1 x 17,5 cm

EWT (open-outlet): Part no. 1100-04420

EWT-C (closed-outlet): Part no. 1100-04421



Aerator CSP 6, CSP 6a and CSP 6i (optional)

The aerator at the tap supports the energy- and water-saving operation of the compact instant water heater. The new special CSP aerators mix air into the water and thus create a uniform water stream that does not splatter but softly cascades down.

- > Aerator insert for tap adapter M 22/24 at the tap
CSP 6 (< 3.5l / min): Part no. 0010-00461
- > Aerator with chrome tap adapter M 24a
(suitable for taps with internal thread at outlet)
CSP 6a: Part no. 0010-0047
- > Aerator with chrome tap adapter M 22i
(suitable for taps with external thread at outlet)
CSP 6i: Part no. 0010-0046