

Instantaneous water heater CRX 6..9



Electronically controlled instantaneous water heater with tubular heating system for supplying hot water between 35 °C and 55 °C. The required temperature can be selected via two touch keys. The heating power is controlled electronically in order to obtain and roughly maintain the set temperature. The flow rate can easily be adapted via the integrated filter valve.



Description

- Compact, electronically controlled instantaneous water heater
- Tubular copper heating element
- Closed-outlet design with safety temperature limiter
- Heating power controlled electronically in accordance with feed temperature and flow rate
- Control panel with LED indicator for setting the temperature between 35 °C and 55 °C
- Variable electrical connections
- Variable water connection for surface-mounted or flush-mounted installation

Use

- For export markets:
Singlepoint and multipoint use,
e.g. showers, kitchen sinks or wash basins





Accessories



CXH (art.no. 0300-0086)
handset, suitable for
instantaneous water
heater ≤ 13 kW

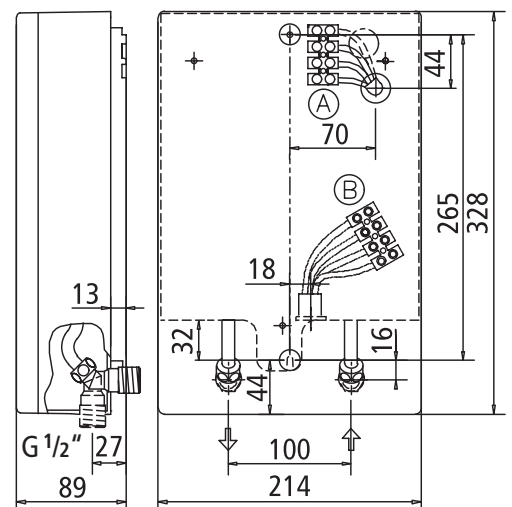


UCX (art.no. 2400-25010)
Piping kit
for undersink installation,
connected directly to the piping
of the sanitary fitting

Type	CRX 6	CRX 7	CRX 9
Article No.	24206	24207	24209
Content	0.2 litres		
Design	Closed-outlet, 6 bar		
Heating system	Tubular heater		
Power rating at 1/N/PE ~ 220 V	6.0 kW (27A)	7.2 kW (33A)	8.0 kW (36A)
Power rating at 1/N/PE ~ 230 V	6.6 kW (29A)	7.9 kW (34A)	8.8 kW (38A)
Power rating at 1/N/PE ~ 240 V	7.2 kW (30A)	8.6 kW (36A)	9.6 kW (40A)
Required cable minimum (mm ²)	3 x 4.0	3 x 6.0	3 x 6.0
Min. flow rate	> 2 l/min		
Required conductor cross-section in mm ²	3 x 4.0	3 x 6.0	3 x 6.0
Max. temperature increase ¹ at 4 l/min	24 °C ²	26 °C ²	32 °C ²
Max. temperature increase ¹ at 6 l/min	16 °C ²	17 °C ²	21 °C ²
Max. temperature increase ¹ at 8 l/min	12 °C ²	15 °C ²	16 °C ²
Temperature range (control range)	35 – 55 °C		
Maximum feed temperature	30 °C		
Net weight	2.2 kg		
Type of protection, safety mark	IP25    		

¹ at nominal power 230 V ² plus temperature of cold water at installation point = hot water temp.

Dimensions (in mm)



Sample text for specification

Delivery and installation of ... ea. compact, electronically controlled instantaneous water heaters, closed-outlet design with tubular copper heating system, control panel and LED indicator for setting the temperature between 35 °C and 55 °C, integrated flow control valve, type CRX ..., power rating: 1/N/PE ... V~ ... kW.

Instantaneous water heater CRX 6..9



Example of installation with two tap connections.

Assembly and operating instructions are to be observed upon installation.

CLAGE GmbH

P.O. Box 16 80

21306 Lüneburg, Germany

Fon +49 (0) 41 31 - 89 01-38

Fax +49 (0) 41 31 - 244 47 71

E-Mail export@clage.de

Internet www.clage.com

