

# Electronic instantaneous water heater MDX 3..7



Small electronic instantaneous water heater with highly-efficient bare wire heating system for economic water supply to e.g. a handwash basin or a sink. The shapely small appliance heats the water automatically as it flows through it, without wasting energy in standby operation. The heating power is electronically controlled in order to ensure that the outlet temperature won't be exceeded (factory setting ca. 38 °C). In combination with the economical flow rate the appliance ensures maximum energy efficiency.



## Description

- Mini-sized electronic instantaneous water heater operates automatically by the flow
- Heating power controlled electronically for temperature stabilisation
- Outlet temperature and flow rate can be preset inside the unit (factory setting 38 °C)
- Effective bare wire heating system IES® for very quick response
- Double pole thermal cut-out protection
- Special jet regulator for use with screw threads M22/M24 included
- Connecting set to angle valve included (T-piece and flexible pressure hose), except for type MDX 6-220
- Inlet/outlet water connection G 3/8"
- Mains power cable approx. 65 cm long



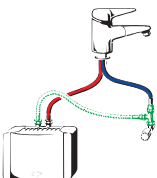
The electronic with flow and temperature sensors controls the power to stabilise the outlet temperature.

## Use

- With standard taps for handwash basins and sinks
- also if low flow water pressure at installation site
  - also suitable for reheating water e.g. in connection with solar heating systems
  - also usable with a pillar mixer (without mixture of hot and cold water)

Type		MDX 3	MDX 4	MDX 6	MDX 6-220	MDX 7
Article no.		13003	13004	13006	13005	13007
Content	litre	0.2	0.2	0.2	0.2	0.2
Nominal pressure	MPa (bar)	1 (10)	1 (10)	1 (10)	1 (10)	1 (10)
Heating system		bare wire heating system IES®				
required specific water resistance at 15 °C		≥1300 Ωcm	≥1000 Ωcm	≥1000 Ωcm	≥1000 Ωcm	≥1300 Ωcm
Rated voltage		1/N/PE ~ 230 V			1/N/PE ~ 220 V	2/PE ~ 380 V
Power rating at 230V	kW	3.5	4.4	5.7	6.0	6.5
Rated current	A	15	19	25	29	16
Factory flow setting at 3 bar	l/min	2.0	2.5	3.3	4.5	3.7
Max. temperature increase at power rating and flow rate	2 l/min	25 K <sup>1</sup>	31 K <sup>1</sup>	40 K <sup>1</sup>	43 K <sup>1</sup>	46 K <sup>1</sup>
	2,5 l/min	20 K <sup>1</sup>	25 K <sup>1</sup>	33 K <sup>1</sup>	34 K <sup>1</sup>	37 K <sup>1</sup>
	3 l/min	17 K <sup>1</sup>	21 K <sup>1</sup>	27 K <sup>1</sup>	29 K <sup>1</sup>	31 K <sup>1</sup>
	3,5 l/min	15 K <sup>1</sup>	18 K <sup>1</sup>	23 K <sup>1</sup>	25 K <sup>1</sup>	26 K <sup>1</sup>
Max. inlet temperature		60 °C	60 °C	60 °C	30 °C	60 °C
Switching on/off flow rate	l/min	1.2 / 1.0	1.5 / 1.3	1.5 / 1.3	1.5 / 1.3	1.5 / 1.3
Required cable size	mm <sup>2</sup>	1.5	2.5	2.5	4.0	2.5
Weight filled with water (approx.)	kg	1.5				
Protection type/class / safety marks acc.to VDE		1 / IP 24				

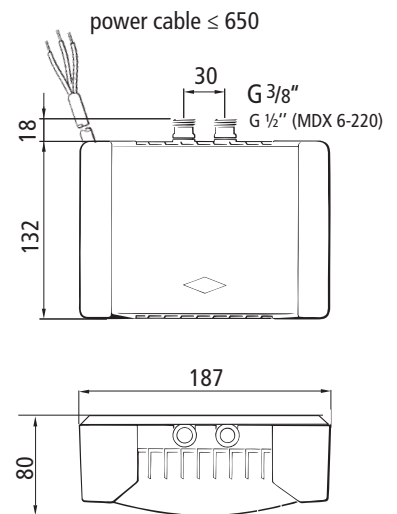
<sup>1</sup> Temperature increase (Kelvin) + incoming cold water temperature (°C) = max. hot water temperature (°C) ≤ 50 °C



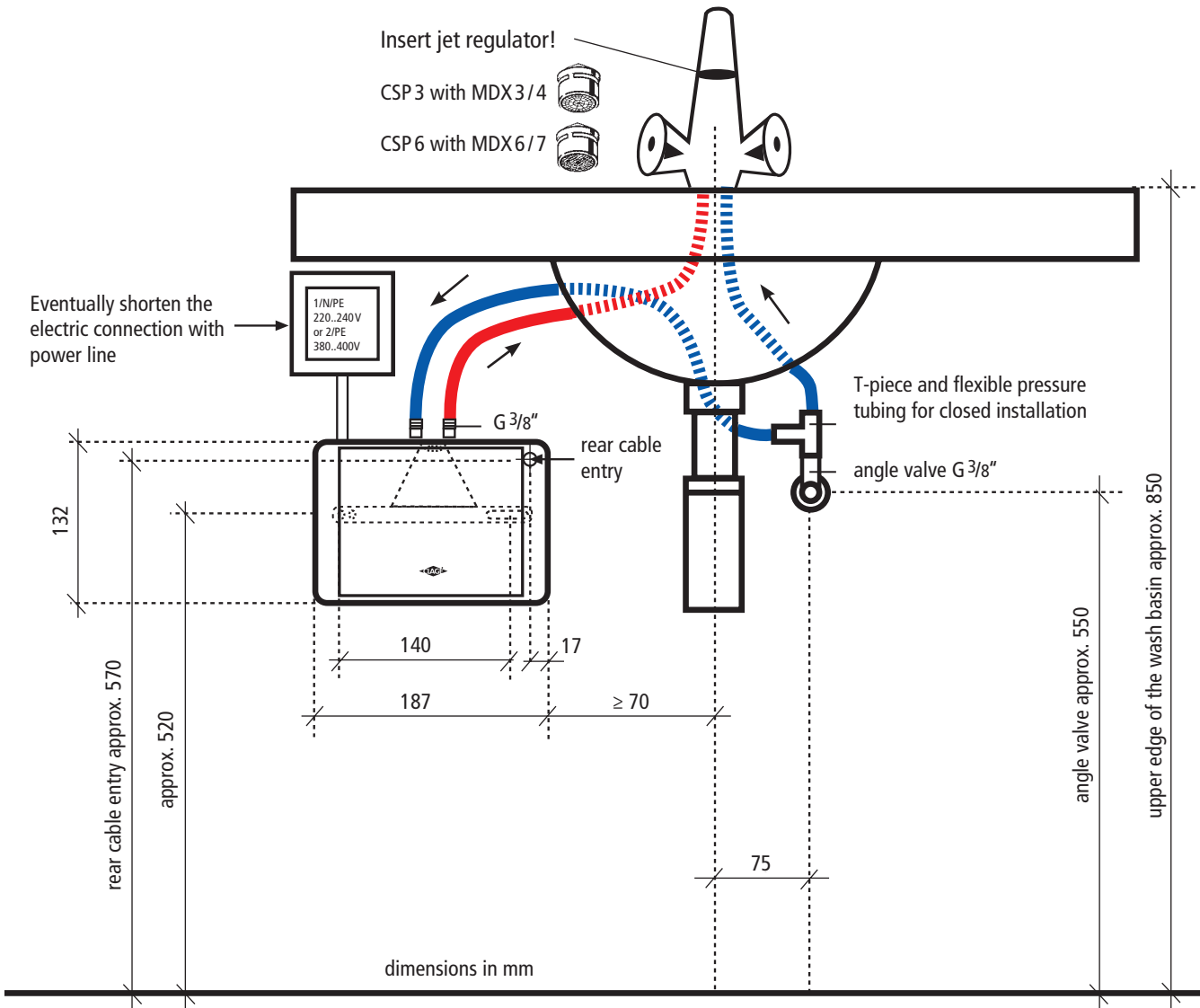
## Useful:

Installation is a simple matter with the connection set (T-piece and flexible pressure hose) supplied with the types MDX 3..7

## Dimensions (in mm)



# Electronic instantaneous water heater MDX 3..7



Example of installation with closed outlet tap.

Assembly and operating instructions are to be observed upon installation.

