

# Electric shower M4..7 / BGS



Small electric instantaneous water heater with mixer as an economical means of supplying hot water between approx. 35 °C and 45 °C to a single shower. The water is heated directly as it flows through the heater, thus eliminating all heat losses and ensuring that hot water is immediately available. The shower is supplied complete with shower set and wall rail. The specially designed handset is perfectly adapted to the economical flow rate of less than 4 l/min.



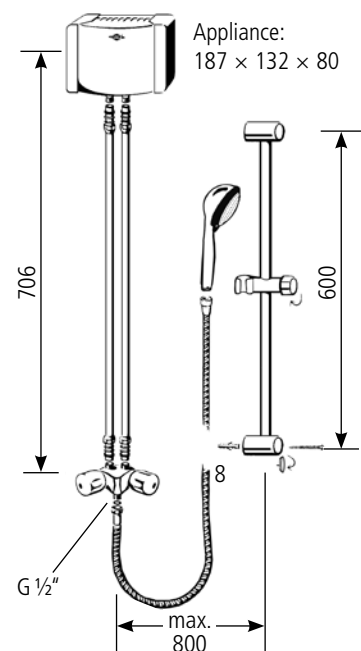
## Description

- Small instantaneous water heater with shower mixer (open-outlet design), shower set and wall rail
- Effective, easy-to-service bare wire heating system IES®
- Immediate supply of hot water without preheating and without loss of heat
- Handset with scale-inhibiting insert

## Use

- Solitary showers, e.g. in guest rooms, attic or basement rooms, garden houses or beside the swimming pool

## Dimensions (in mm)



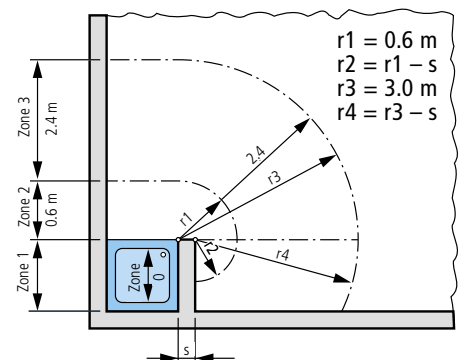
Model	M 4 / BGS	M 6 / BGS	M 7 / BGS
Product code	14304	14306	14307
Energy efficiency class	A *)		
Nominal capacity	litres 0.2		
Type	open-outlet		
Water connections (thread connection)	G 1/2"		
Hot water flow rate at $\Delta t = 25 \text{ K}^1$	l/min 2.5	l/min 3.3	l/min 3.7
Switch-on – maximum flow rate <sup>2)</sup>	l/min 1.8 – 2.5	l/min 2.1 – 3.3	l/min 2.4 – 3.7
Nominal power rating <sup>3)</sup>	kW 4.4	kW 5.7	kW 6.5
Supply voltage	V 1~ / N / PE 230 V AC	V 2~ / PE 400 V AC	
Nominal current	A 19	A 25	A 2 x 16
Minimum required cable size <sup>3)</sup>	mm <sup>2</sup> 2.5	mm <sup>2</sup> 4.0	mm <sup>2</sup> 2.5
IES® Bare wire heating system / $\Omega \text{ cm}^4$	• / 800		
Approx. weight (filled with water)	kg 1.2		
VDE approved, CE endorsed / Protection class	• / IP 25		

• = included resp. yes \*) The declaration complies with the preliminary requirements of the EU regulation No 812/2013 being binding as of September 2015. 1) Temperature increase e.g. from 15 °C to 40 °C 2) Flow limited in order to obtain optimal temperature increase 3) Regulations vary according to the regional power supply authority. Must only be connected by a qualified electrician. 4) Permissible minimum electrical resistance of the water at 15 °C

## Sample text for specification

Delivery and installation of ... ea. electric shower, hydraulically controlled, open-outlet design with replaceable bare wire heating cartridge, complete with open-outlet shower mixer including shower set, type M../BGS, rated connection: ...\* kW ...\* V.

## Zoning for showers according to VDE 0100



The instantaneous water heater for the type M../BGS shower is protected by an IP 25 housing and may be installed in protective zone 1 according to VDE 0100 Part 701.

## Made in Germany

CLAGE GmbH, Pirolweg 1–5, 21337 Lueneburg, Germany  
Fon +49 (0) 4131 - 89 01 - 38, Fax +49 (0) 4131 - 24 44 71  
E-Mail export@clage.de, Internet www.clage.com