

## Instantaneous water heater MH3..7



Electric mini instantaneous water heater, open-outlet design, hydraulically controlled with effective bare wire heating system with low power rating for supplying hot water to one wash basin. The attractive compact appliance matches perfectly all wash basins and heats the water directly as it flows through the appliance, without wasting energy in standby operation. The economically set flow rate ensures maximum efficiency. Higher power ratings > 4.4 kW also allow the appliance to be installed at a kitchen sink.



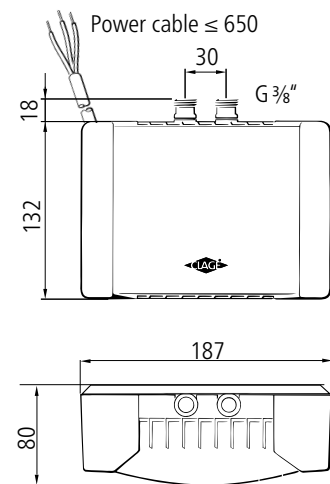
### Description

- Mini-sized hydraulically controlled instantaneous water heater (under-sink appliance) for supplying a single wash basin
- Effective, easy-to-service bare wire heating system IES®
- Open-outlet design
- Mains power cable approx. 65 cm long (only MH 3 with standard European plug)
- Special tap aerator with flow regulator for the spout

### Use

- Wash basins, e.g. in cloakrooms
- Sanitary rooms in offices, shops, restaurants and surgeries
- Kitchen sinks (only > 4.4 kW)

### Dimensions (in mm)



Model	MH 3	MH 4	MH 6	MH 7
Product code	14003	14004	14006	14007
Energy efficiency class	A *)			
Nominal capacity	litres 0.2			
Type	open-outlet			
Water connections (thread connection)	G 3/8"			
Hot water flow rate at $\Delta t = 25 K$ <sup>1)</sup>	l/min 2.0	2.5	3.3	3.7
Switch-on – maximum flow rate <sup>2)</sup>	l/min 1.6 – 2.0	1.8 – 2.5	2.1 – 3.3	2.4 – 3.7
Nominal power rating <sup>3)</sup>	kW 3.5	4.4	5.7	6.5
Supply voltage	V 1~ / N / PE 230 V AC			2~ / PE 400 V AC
Nominal current	A 15	19	25	2 x 16
Minimum required cable size <sup>3)</sup>	mm <sup>2</sup> 1.5	2.5	2.5	2.5
IES® Bare wire heating system / $\Omega \text{ cm}^{-5}$	• / 800			
Approx. weight (filled with water)	kg 1.2			
VDE approved, CE endorsed / Protection class	• / IP 24 <sup>4)</sup>			

• = included resp. yes \*) The declaration complies with the preliminary requirements of the EU regulation No 812/2013 being binding as of September 2015. 1) Temperature increase e.g. from 15°C to 40°C 2) Flow limited in order to obtain optimal temperature increase 3) Regulations vary according to the regional power supply authority. Must only be connected by a qualified electrician. 4) As oversink unit: Protection class IP 25 5) Permissible minimum electrical resistance of the water at 15°C

### Sample text for specification

Delivery and installation of ... pcs. compact electric instantaneous water heaters, hydraulically controlled, open-outlet design with replaceable bare-element heating cartridge, complete with special CSP tap aerator for use at a hand wash basin (Item...), type MH..., rated connection: ... \*kW ... \*V, for installation with the open-outlet fitting, Item...

### Recommended fittings

for wash basins (MH 3 / MH 4) or kitchens (MH 6 / MH 7):



#### SNM

Prod. code: 04200



#### SKM

Prod. code: 04210



#### ENM

Prod. code: 04240



#### EKM

Prod. code: 04220



#### AEB

04250  
AEN  
04255



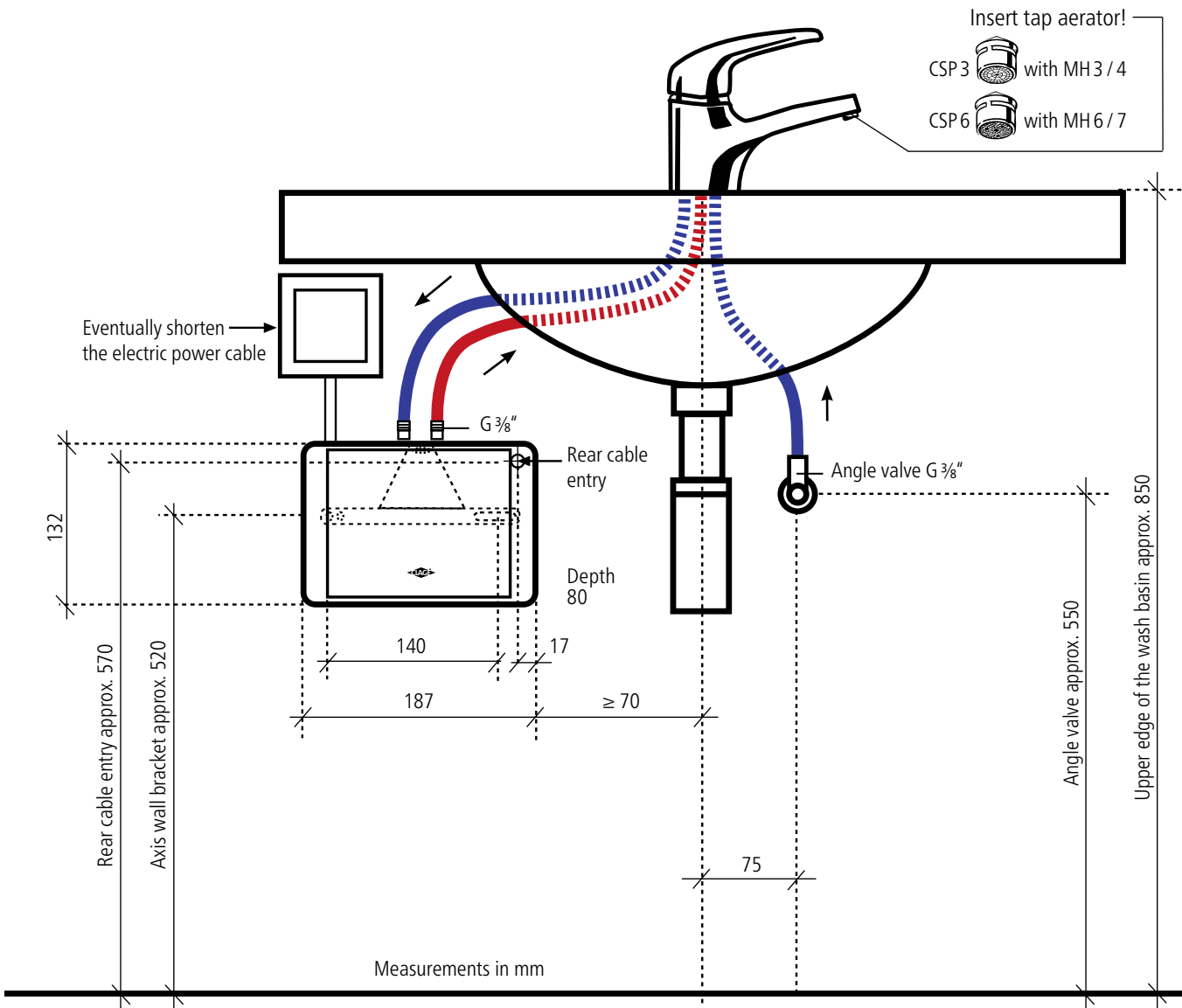
#### EKA

Prod. code: 04230

### Made in Germany

CLAGE GmbH, Pirolweg 1–5, 21337 Lueneburg, Germany  
Fon +49 (0) 4131 · 89 01- 38, Fax +49 (0) 4131 · 24 447 71  
E-Mail export@clage.de, Internet www.clage.com

# Instantaneous water heater MH3..7



Example of installation with **open outlet** tap.

Assembly and operating instructions are to be observed upon installation.

CLAGE GmbH  
 Pirolweg 1-5  
 21337 Lueneburg  
 Germany

Fon +49 (0) 4131-8901-38  
 Fax +49 (0) 4131-244 47 71

E-Mail [export@clage.de](mailto:export@clage.de)  
 Internet [www.clage.com](http://www.clage.com)