

Storage water heater 15 litres S15-O



Application areas

Single or multiple point supply:

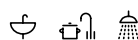
- > Disposal sink
- > Washbasin
- > Kitchen sink
- > Shower



Storage water heater 15 litres

S15-O

Product information



Energy efficiency class **B** (Scale: A+ to F) **S15-O (oversink model)**

Part number:	4100-41153
Content [litres]:	15
Type; maximum operating pressure [MPa (bar)]:	unvented ¹⁾ ; 0.8 (8)
Water connections (thread connections):	G ½"
Temperature range [°C]:	5°C (❄) / 30°C – 35°C (ECO) / 55°C / 80°C (MAX)
approx. mixed water amount 40°C ²⁾ [litres]:	24
Nominal power rating (kW):	2.2
Voltage supply [V]:	1~ / N / PE 230 V AC
Nominal current [A]:	10
Heating time $\Delta t = 55K$ ³⁾ [min]:	26
Standby power consumption at 65°C [kWh / 24h]:	0.49
Internal tank:	copper
Function indicator:	✓
Protection class:	IP 24
Dimensions (height × width × depth) [cm]:	45.2 × 30.0 × 28.5
Power cable:	with plug
approx. weight filled with water [kg]:	22.5

1) Optional installation with open-outlet tap 2) At a cold water temperature of 15°C and a storage content temperature of 55°C 3) Temperature increase e.g. from 15°C to 70°C

Description

- > Unvented 15-litre storage water heater (oversink model) for hot water supply at one or two points-of-use
- > Corrosion-proof and therefore maintenance-free internal copper tank
- > High-quality insulation keeps heat losses at a minimum
- > Temperature control approx. 5°C to 80°C
- > For vented installation (with open-outlet tap) and unvented installation (with safety assembly)
- > Automatic frost protection
- > Power cable with plug (~110 cm)

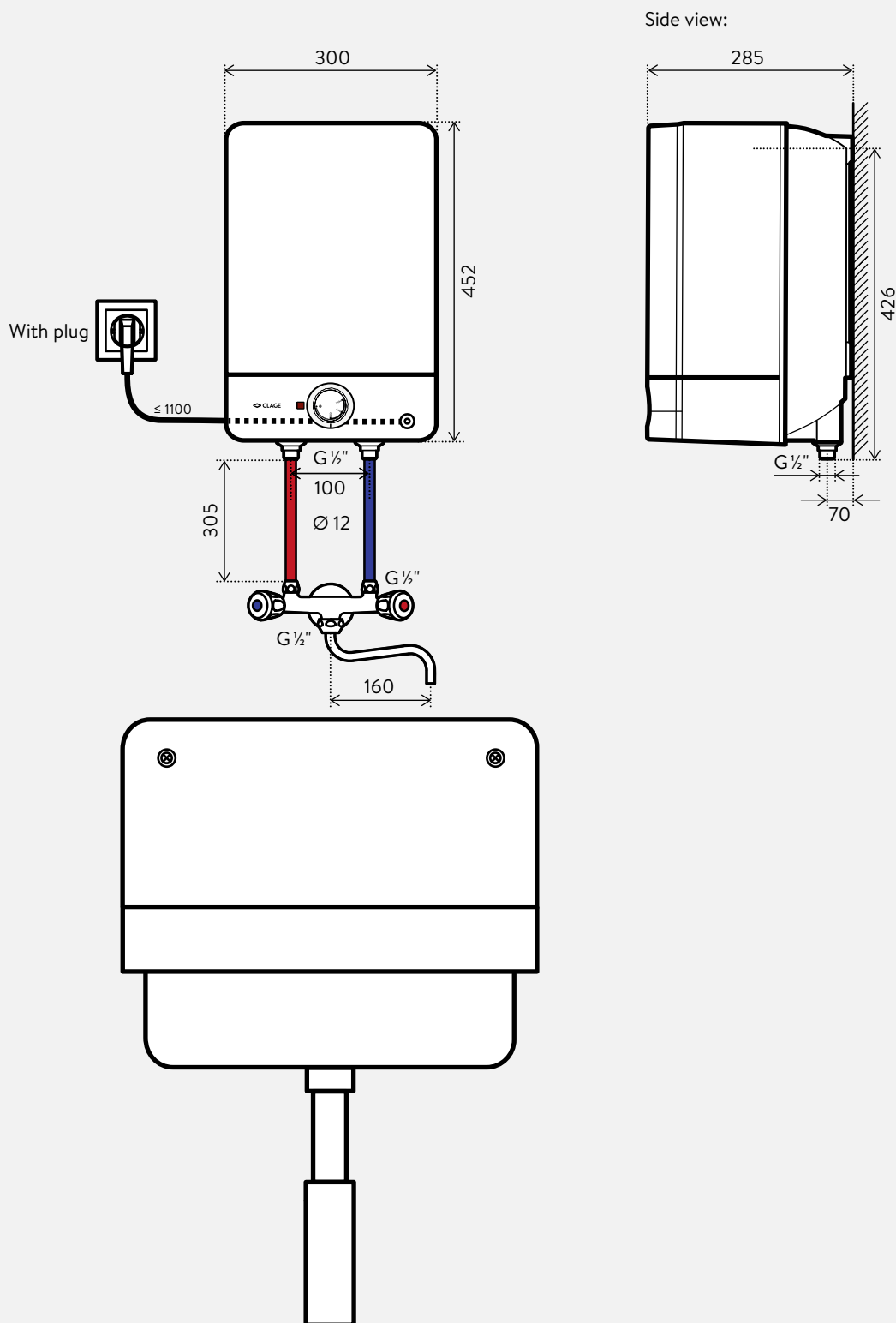
Storage water heater 15 litres S15-O Installation



Example of an **open-outlet** installation with open-outlet tap **SNO**.

Measurements in mm

Assembly and operating instructions must be observed upon installation.



Storage water heater 15 litres S15-O Accessories



SG (optional)

Oversink safety assembly (6 bar) for closed outlet installation

SG: Part no. 4100-0011



SGM (optional)

Oversink safety assembly (6 bar) for closed outlet installation with pressure-reducing valve up to 10 bar

SGM: Part no. 4100-0012



Accessory recommendation for disposal sink (optional)

SSO (open-outlet)

Single-lever wall-mounted mixer tap for installation at a 1/2-inch wall connection with swivel spout 16 cm

SSO: Part no. 4100-01250



Accessory recommendation for disposal sink (optional)

SNO (open-outlet)

Wall-mounted mixer tap with combination valve and swivel spout 16 cm

SNO: Part no. 4100-0110

Storage water heater 15 litres
S15-O
Accessories



Aerators (optional)

Aerator insert for tap adapter M22/24 at the tap

CSS: Part no. 0010-00504



Aerator with chrome tap adapter M22i
(suitable for taps with male threads at the outlet)

CSSi: Part no. 89125